

PROPERTY : VINARES 1-10 (LOT: 20507, 20508, 20509)

A1 TYPE ELEVATION PLAN

1:100

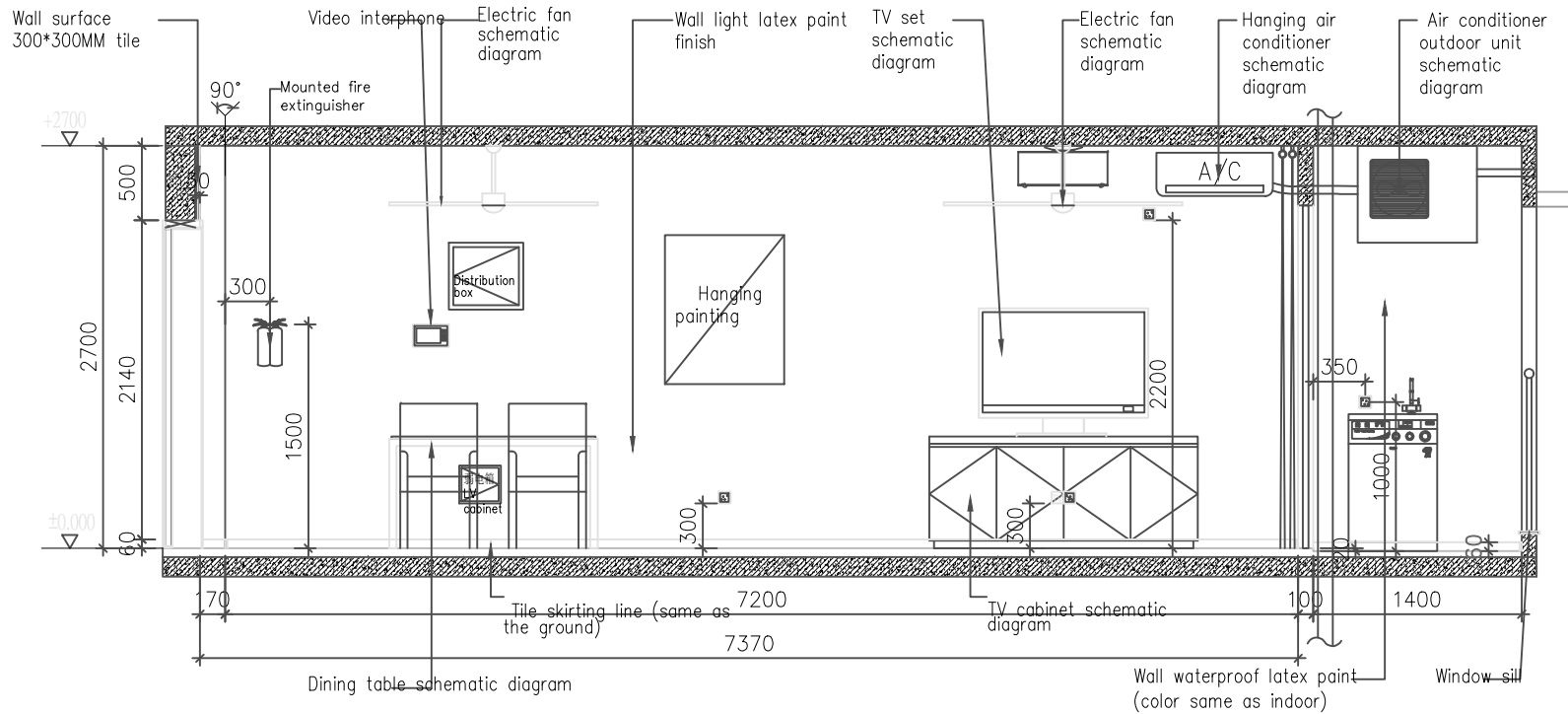
PROPERTY : VINARES 1-10 (LOT: 20507,20508, 20509)	
DRAWING NAME : A1 TYPE ELEVATION PLAN	SCALE: AS GIVEN,A4

DRAWN BY : MAAHEE	DATE : 25/02/2024
CHECKED BY : MAHUDHEE	

REVISION NO.: R01	DATE : 26/02/2024
REVISED BY: MAAHEE	



REAL ESTATE MANAGEMENT
2ND FLOOR, CENTRO MALL, HULHUMALE'
REPUBLIC OF MALDIVES
TEL +9603353535, FAX +9603358892
EMAIL : hello@hdc.mv



PROPERTY : VINARES 1-10 (LOT: 20507, 20508, 20509)

A1 TYPE APARTMENT, DINING ROOM & LIVING

ROOM ELEVATION - 01 - A

1:50

PROPERTY : VINARES 1-10 (LOT: 20507,20508, 20509)

DRAWING NAME : A1 TYPE ELEVATION - 01 - A

SCALE: AS GIVEN,A4

DRAWN BY : MAAHEE

DATE : 25/02/2024

CHECKED BY : MAHUDHEE

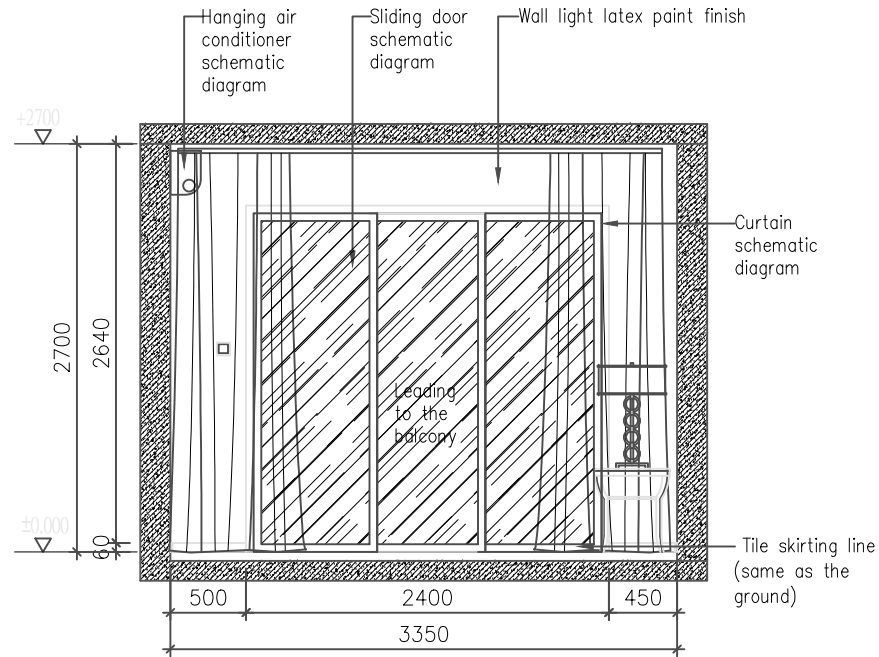
REVISION NO.: R01

DATE : 26/02/2024

REVISED BY: MAAHEE



REAL ESTATE MANAGEMENT
2ND FLOOR, CENTRO MALL, HULHUMALE'
REPUBLIC OF MALDIVES
TEL +9603353535, FAX +9603358892
EMAIL : hello@hdc.mv



PROPERTY : VINARES 1-10 (LOT: 20507, 20508, 20509)

A1 TYPE APARTMENT, DINING ROOM & LIVING
ROOM ELEVATION - 01 - B

1:50

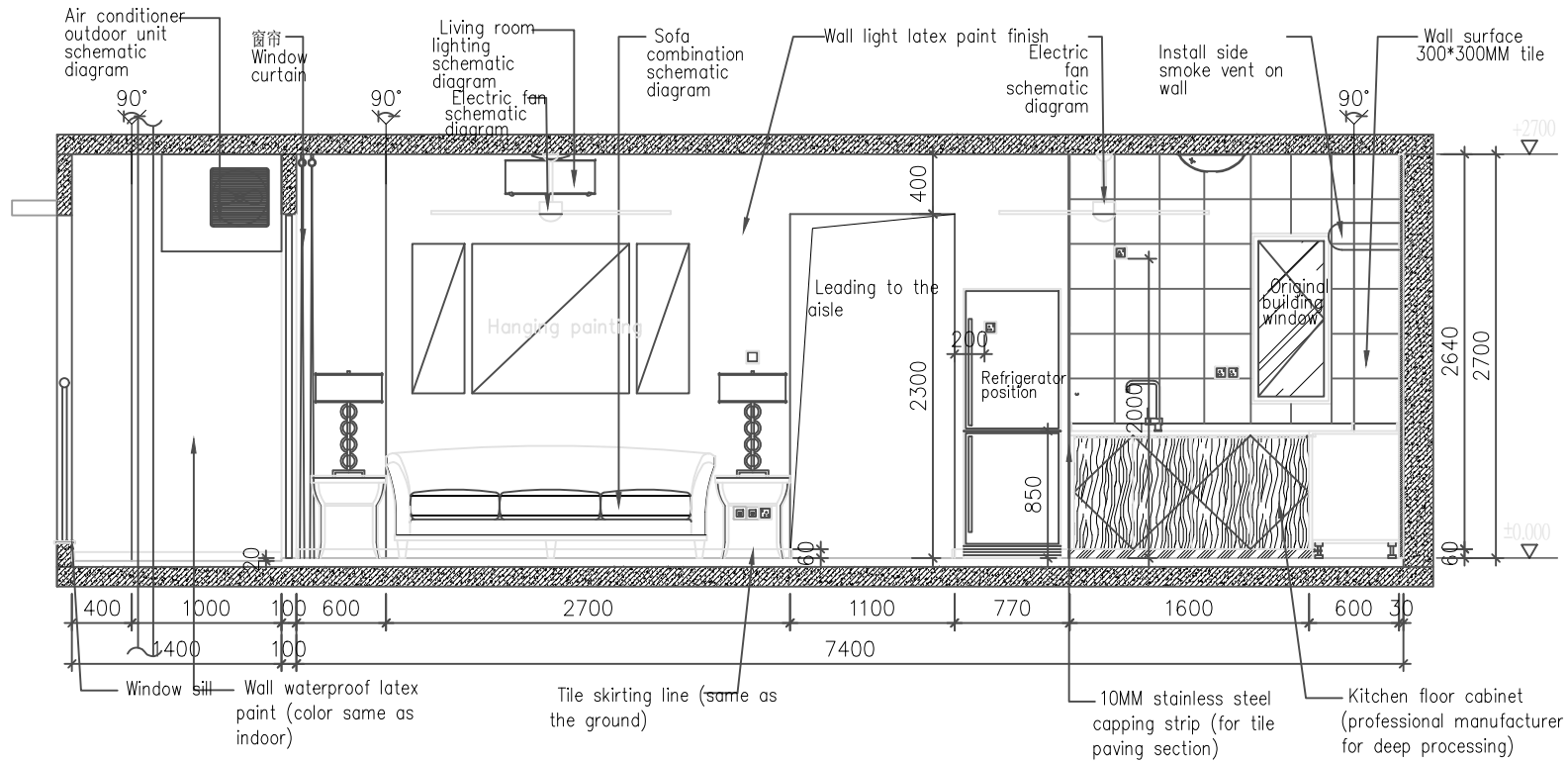
PROPERTY : VINARES 1-10 (LOT: 20507,20508, 20509)	
DRAWING NAME : A1 TYPE ELEVATION - 01 - B	SCALE: AS GIVEN,A4

DRAWN BY : MAAHEE	DATE : 25/02/2024
CHECKED BY : MAHUDHEE	

REVISION NO.: R01	DATE : 26/02/2024
REVISED BY: MAAHEE	



REAL ESTATE MANAGEMENT
2ND FLOOR, CENTRO MALL, HULHUMALE'
REPUBLIC OF MALDIVES
TEL +9603353535, FAX +9603358892
EMAIL : hello@hdc.mv



PROPERTY : VINARES 1-10 (LOT: 20507, 20508, 20509)

A1 TYPE APARTMENT, DINING ROOM & LIVING
ROOM ELEVATION - 01 - C

1:50

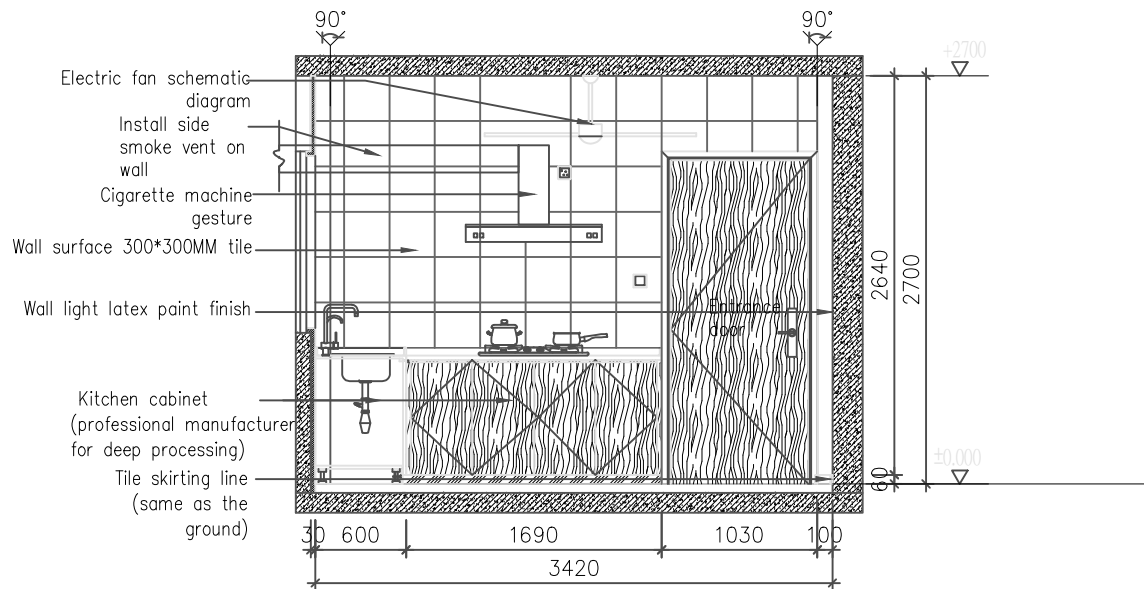
PROPERTY : VINARES 1-10 (LOT: 20507,20508, 20509)	
DRAWING NAME : A1 TYPE ELEVATION - 01 - C	SCALE: AS GIVEN,A4

DRAWN BY : MAAHEE	DATE : 25/02/2024
CHECKED BY : MAHUDHEE	

REVISION NO.: R01	DATE : 26/02/2024
REVISED BY: MAAHEE	



REAL ESTATE MANAGEMENT
2ND FLOOR, CENTRO MALL, HULHUMALE'
REPUBLIC OF MALDIVES
TEL +9603353535, FAX +9603358892
EMAIL : hello@hdc.mv



PROPERTY : VINARES 1-10 (LOT: 20507, 20508, 20509)

A1 TYPE APARTMENT, DINING ROOM & LIVING

ROOM ELEVATION - 01 - D

1:50

PROPERTY : VINARES 1-10 (LOT: 20507,20508, 20509)

DRAWN BY : MAAHEE

DATE : 25/02/2024

REVISION NO.: R01

DATE : 26/02/2024

DRAWING NAME : A1 TYPE ELEVATION - 01 - D

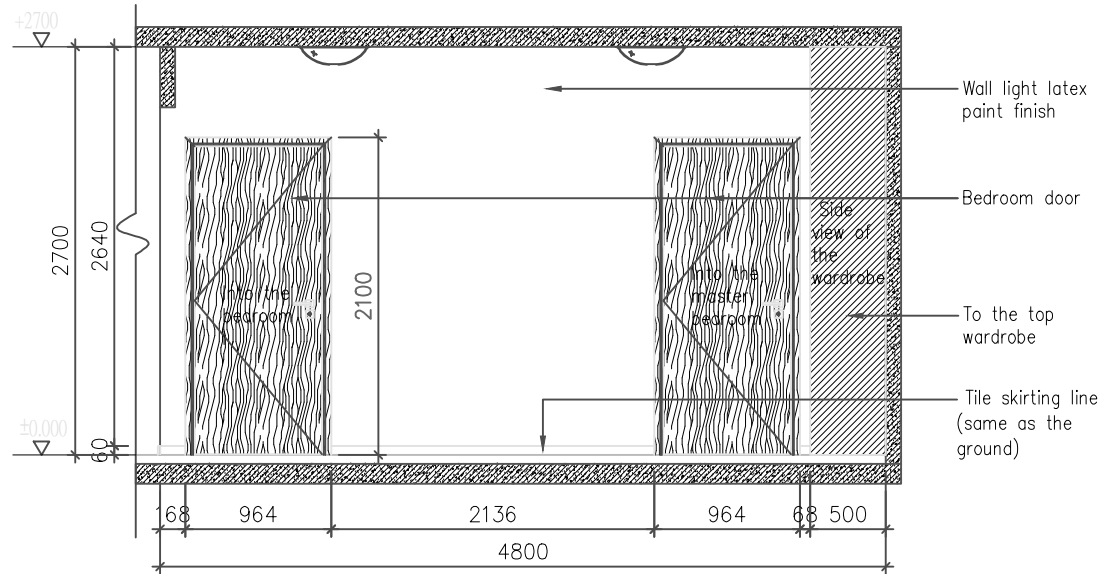
SCALE: AS GIVEN,A4

CHECKED BY : MAHUDHEE

REVISED BY: MAAHEE



REAL ESTATE MANAGEMENT
2ND FLOOR, CENTRO MALL, HULHUMALE'
REPUBLIC OF MALDIVES
TEL +9603353535, FAX +9603358892
EMAIL : hello@hdc.mv



PROPERTY : VINARES 1-10 (LOT: 20507, 20508, 20509)
A1 TYPE APARTMENT, AISLE (LOBBY) ELEVATION - 02 - A

1:50

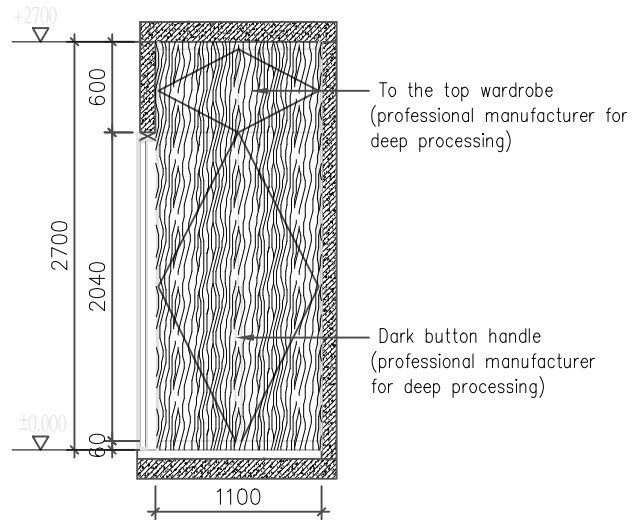
PROPERTY : VINARES 1-10 (LOT: 20507,20508, 20509)	
DRAWING NAME : A1 TYPE ELEVATION - 02 - A	SCALE: AS GIVEN,A4

DRAWN BY : MAAHEE	DATE : 25/02/2024
CHECKED BY : MAHUDHEE	

REVISION NO.: R01	DATE : 26/02/2024
REVISED BY: MAAHEE	



REAL ESTATE MANAGEMENT
 2ND FLOOR, CENTRO MALL, HULHUMALE'
 REPUBLIC OF MALDIVES
 TEL. +9603353535, FAX +9603358892
 EMAIL : hello@hdc.mv



PROPERTY : VINARES 1-10 (LOT: 20507, 20508, 20509)
A1 TYPE APARTMENT, AISLE (LOBBY) ELEVATION - 02 - B

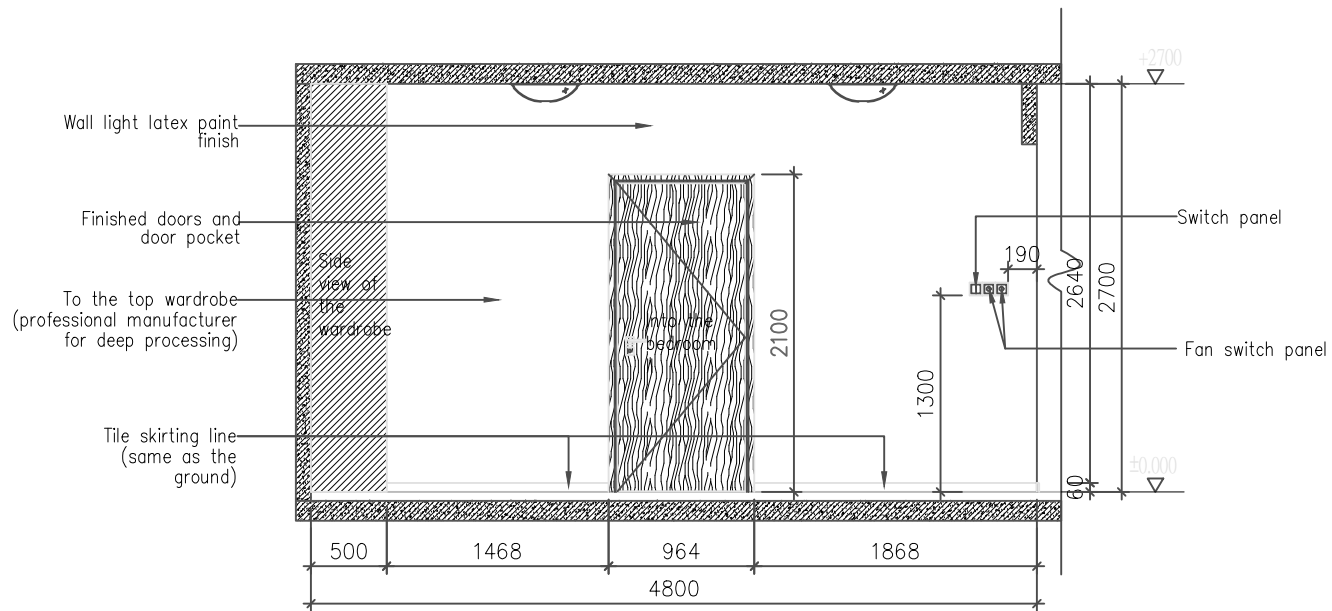
1:50

PROPERTY : VINARES 1-10 (LOT: 20507,20508, 20509)		DRAWN BY : MAAHEE	DATE : 25/02/2024	REVISION NO.: R01	DATE : 26/02/2024
DRAWING NAME : A1 TYPE ELEVATION - 02 - B	SCALE: AS GIVEN,A4	CHECKED BY : MAHUDHEE		REVISED BY: MAAHEE	



**HOUSING
DEVELOPMENT
CORPORATION**

REAL ESTATE MANAGEMENT
 2ND FLOOR, CENTRO MALL, HULHUMALE'
 REPUBLIC OF MALDIVES
 TEL. +9603353535, FAX +9603358892
 EMAIL : hello@hdc.mv



PROPERTY : VINARES 1-10 (LOT: 20507, 20508, 20509)
 A1 TYPE APARTMENT, AISLE (LOBBY) ELEVATION - 02 - C

1:50

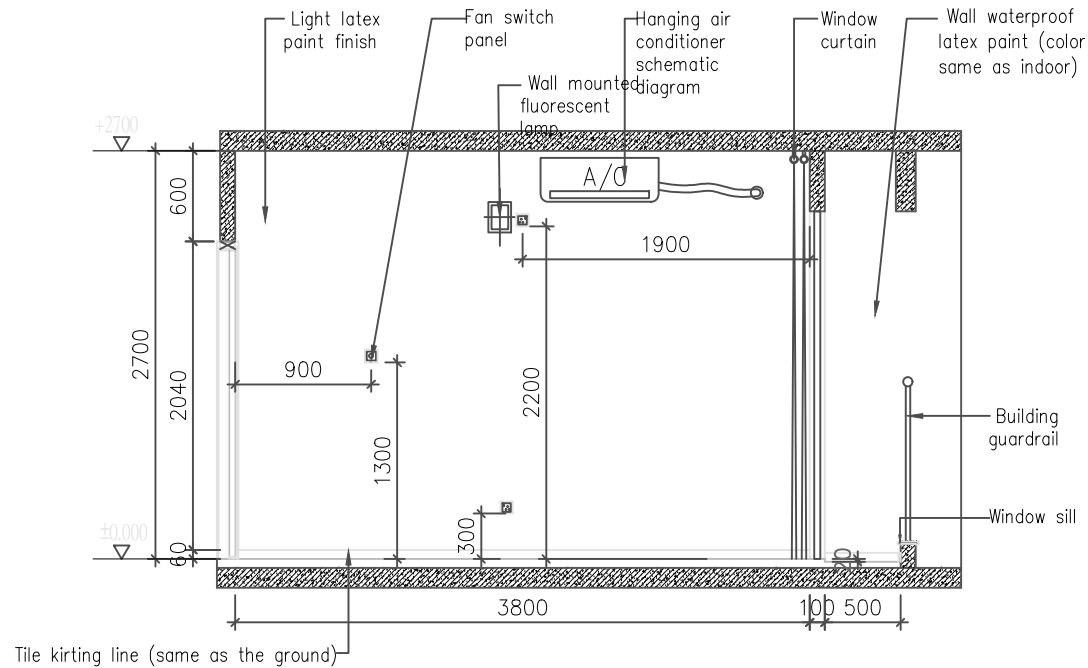
PROPERTY : VINARES 1-10 (LOT: 20507,20508, 20509)	
DRAWING NAME : A1 TYPE ELEVATION - 02 - C	SCALE: AS GIVEN,A4

DRAWN BY : MAAHEE	DATE : 25/02/2024
CHECKED BY : MAHUDHEE	

REVISION NO.: R01	DATE : 26/02/2024
REVISED BY: MAAHEE	



REAL ESTATE MANAGEMENT
 2ND FLOOR, CENTRO MALL, HULHUMALE'
 REPUBLIC OF MALDIVES
 TEL +960335535, FAX +9603358892
 EMAIL : hello@hdc.mv



PROPERTY : VINARES 1-10 (LOT: 20507, 20508, 20509)

A1 TYPE APARTMENT, BEDROOM I

ELEVATION - 03 - A

1:50

PROPERTY : VINARES 1-10 (LOT: 20507,20508, 20509)

DRAWN BY : MAAHEE

DATE : 25/02/2024

REVISION NO.: R01

DATE : 26/02/2024

DRAWING NAME : A1 TYPE ELEVATION - 03 - A

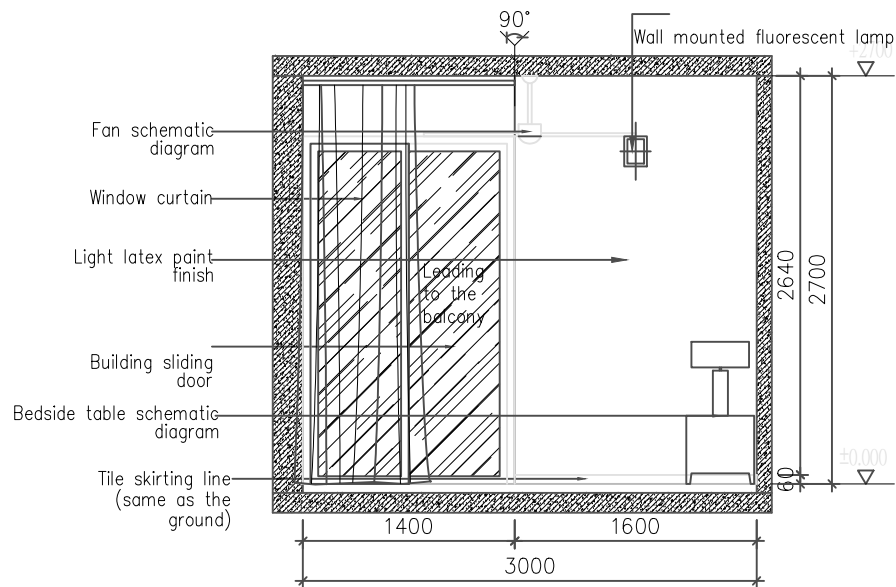
SCALE: AS GIVEN,A4

CHECKED BY : MAHUDHEE

REVISED BY: MAAHEE



REAL ESTATE MANAGEMENT
2ND FLOOR, CENTRO MALL, HULHUMALE'
REPUBLIC OF MALDIVES
TEL. +9603353535, FAX +9603358892
EMAIL: hello@hdc.mv



PROPERTY : VINARES 1-10 (LOT: 20507, 20508, 20509)

A1 TYPE APARTMENT, BEDROOM I

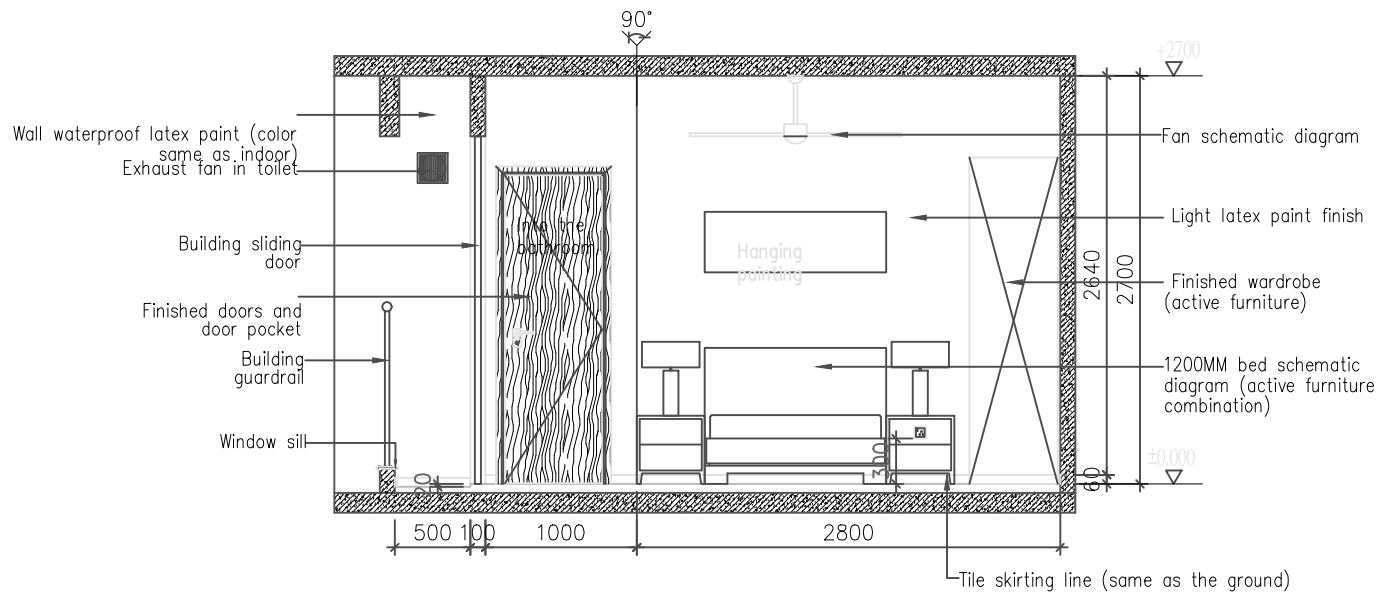
ELEVATION - 03 - B

1:50

PROPERTY : VINARES 1-10 (LOT: 20507,20508, 20509)		DRAWN BY : MAAHEE	DATE : 25/02/2024	REVISION NO.: R01	DATE : 26/02/2024
DRAWING NAME : A1 TYPE ELEVATION - 03 - B	SCALE: AS GIVEN,A4	CHECKED BY : MAHUDHEE		REVISED BY: MAAHEE	



REAL ESTATE MANAGEMENT
 2ND FLOOR, CENTRO MALL, HULHUMALE'
 REPUBLIC OF MALDIVES
 TEL +9603353535, FAX +9603358892
 EMAIL : hello@hdc.mv



PROPERTY : VINARES 1-10 (LOT: 20507, 20508, 20509)

A1 TYPE APARTMENT, BEDROOM I

ELEVATION - 03 - C

1:50

PROPERTY : VINARES 1-10 (LOT: 20507,20508, 20509)

DRAWING NAME : A1 TYPE ELEVATION - 03 - C

SCALE: AS GIVEN,A4

DRAWN BY : MAAHEE

DATE : 25/02/2024

CHECKED BY : MAHUDHEE

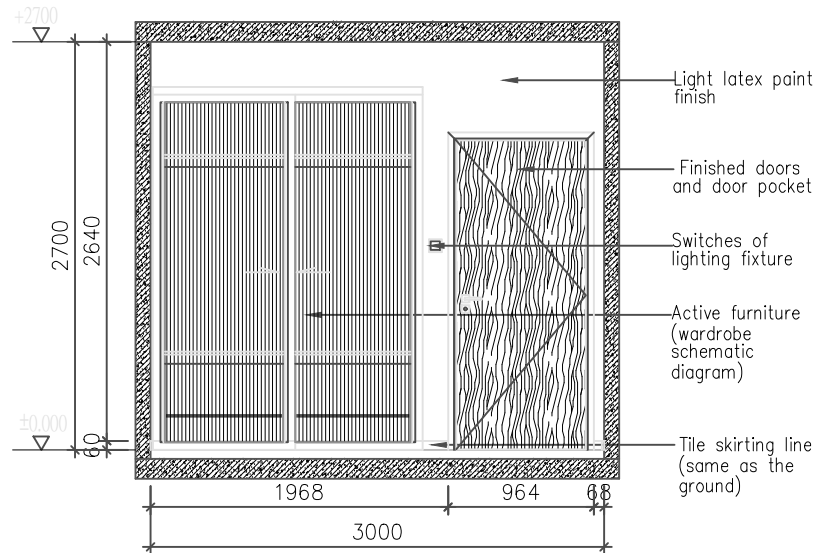
REVISION NO.: R01

DATE : 26/02/2024

REVISED BY: MAAHEE



REAL ESTATE MANAGEMENT
2ND FLOOR, CENTRO MALL, HULHUMALE'
REPUBLIC OF MALDIVES
TEL +9603353535, FAX +9603358892
EMAIL : hello@hdc.mv



PROPERTY : VINARES 1-10 (LOT: 20507, 20508, 20509)

A1 TYPE APARTMENT, BEDROOM I

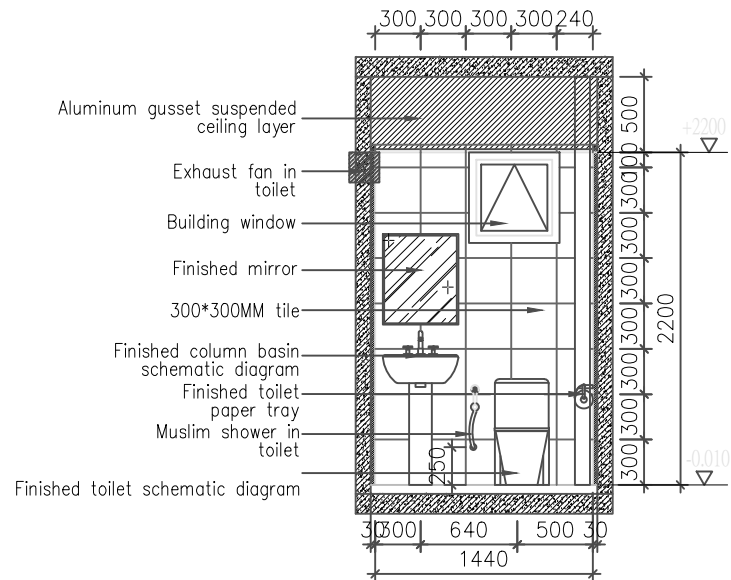
ELEVATION - 03 - D

1:50

PROPERTY : VINARES 1-10 (LOT: 20507,20508, 20509)		DRAWN BY : MAAHEE	DATE : 25/02/2024	REVISION NO.: R01	DATE : 26/02/2024
DRAWING NAME : A1 TYPE ELEVATION - 03 - D	SCALE: AS GIVEN,A4	CHECKED BY : MAHUDHEE		REVISED BY: MAAHEE	



REAL ESTATE MANAGEMENT
 2ND FLOOR, CENTRO MALL, HULHUMALE'
 REPUBLIC OF MALDIVES
 TEL +9603353535, FAX +9603358892
 EMAIL : hello@hdc.mv



PROPERTY : VINARES 1-10 (LOT: 20507, 20508, 20509)

A1 TYPE APARTMENT, BEDROOM I - BATHROOM

ELEVATION - 04 - A

1:50

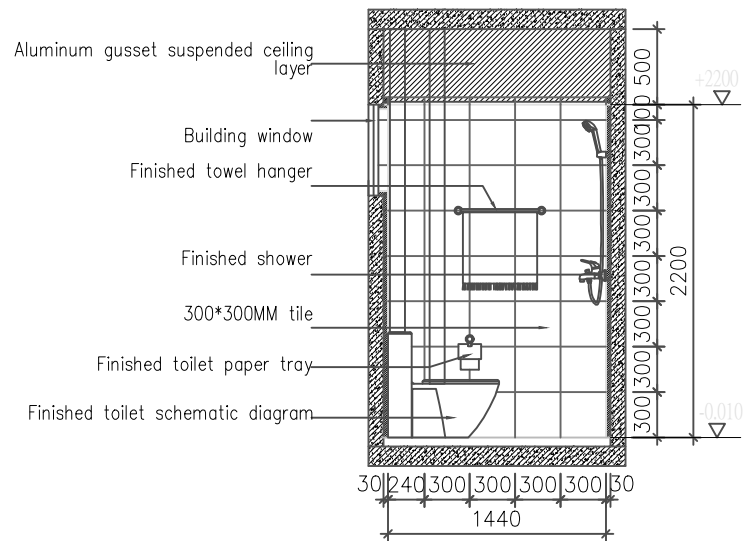
PROPERTY : VINARES 1-10 (LOT: 20507,20508, 20509)	
DRAWING NAME : A1 TYPE ELEVATION - 04 - A	SCALE: AS GIVEN,A4

DRAWN BY : MAAHEE	DATE : 25/02/2024
CHECKED BY : MAHUDHEE	

REVISION NO.: R01	DATE : 26/02/2024
REVISED BY: MAAHEE	



REAL ESTATE MANAGEMENT
 2ND FLOOR, CENTRO MALL, HULHUMALE'
 REPUBLIC OF MALDIVES
 TEL. +9603353535, FAX +9603358892
 EMAIL : hello@hdc.mv



PROPERTY : VINARES 1-10 (LOT: 20507, 20508, 20509)

A1 TYPE APARTMENT, BEDROOM I - BATHROOM

ELEVATION - 04 - B

1:50

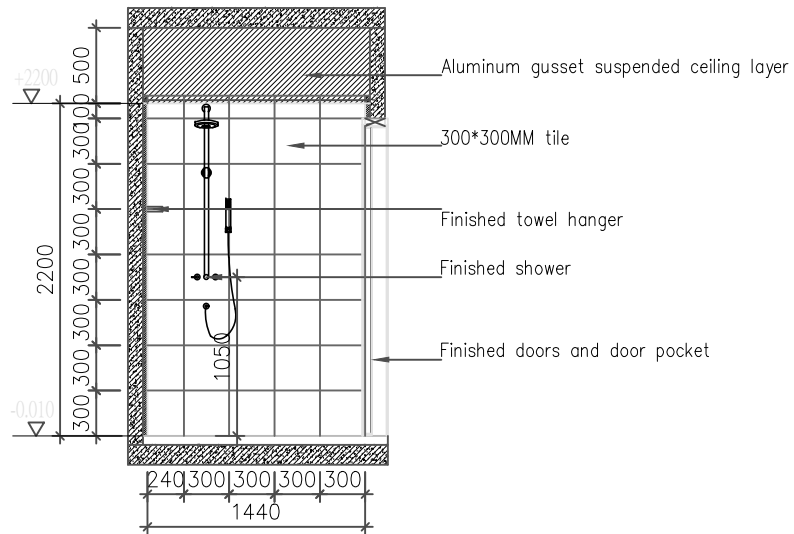
PROPERTY : VINARES 1-10 (LOT: 20507,20508, 20509)	
DRAWING NAME : A1 TYPE ELEVATION - 04 - B	SCALE: AS GIVEN,A4

DRAWN BY : MAAHEE	DATE : 25/02/2024
CHECKED BY : MAHUDHEE	

REVISION NO.: R01	DATE : 26/02/2024
REVISED BY: MAAHEE	



REAL ESTATE MANAGEMENT
 2ND FLOOR, CENTRO MALL, HULHUMALE'
 REPUBLIC OF MALDIVES
 TEL. +9603353535, FAX +9603358892
 EMAIL : hello@hdc.mv



PROPERTY : VINARES 1-10 (LOT: 20507, 20508, 20509)

A1 TYPE APARTMENT, BEDROOM I - BATHROOM

ELEVATION - 04 - C

1:50

PROPERTY : VINARES 1-10 (LOT: 20507,20508, 20509)

DRAWN BY : MAAHEE

DATE : 25/02/2024

REVISION NO.: R01

DATE : 26/02/2024

DRAWING NAME : A1 TYPE ELEVATION - 04 - C

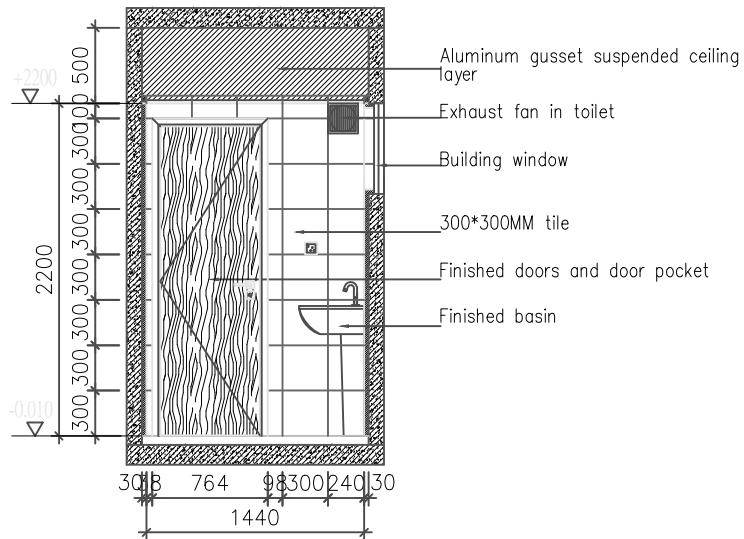
SCALE: AS GIVEN,A4

CHECKED BY : MAHUDHEE

REVISED BY: MAAHEE



REAL ESTATE MANAGEMENT
2ND FLOOR, CENTRO MALL, HULHUMALE'
REPUBLIC OF MALDIVES
TEL +9603353535, FAX +9603358892
EMAIL : hello@hdc.mv



PROPERTY : VINARES 1-10 (LOT: 20507, 20508, 20509)

A1 TYPE APARTMENT, BEDROOM I - BATHROOM

ELEVATION - 04 - D

1:50

PROPERTY : VINARES 1-10 (LOT: 20507,20508, 20509)

DRAWN BY : MAAHEE

DATE : 25/02/2024

REVISION NO.: R01

DATE : 26/02/2024

DRAWING NAME : A1 TYPE ELEVATION - 04 - D

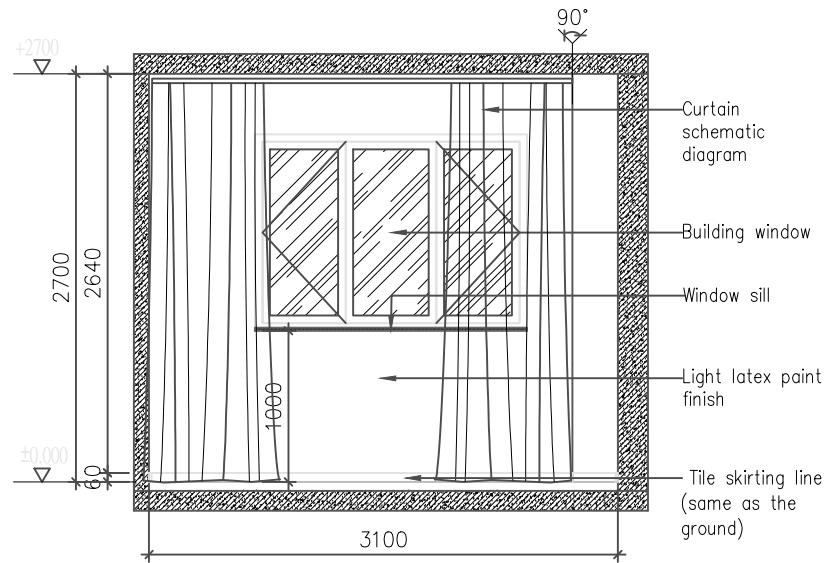
SCALE: AS GIVEN,A4

CHECKED BY : MAHUDHEE

REVISED BY: MAAHEE



REAL ESTATE MANAGEMENT
2ND FLOOR, CENTRO MALL, HULHUMALE'
REPUBLIC OF MALDIVES
TEL +9603353535, FAX +9603358892
EMAIL : hello@hdc.mv



PROPERTY : VINARES 1-10 (LOT: 20507, 20508, 20509)

A1 TYPE APARTMENT, MASTER BEDROOM

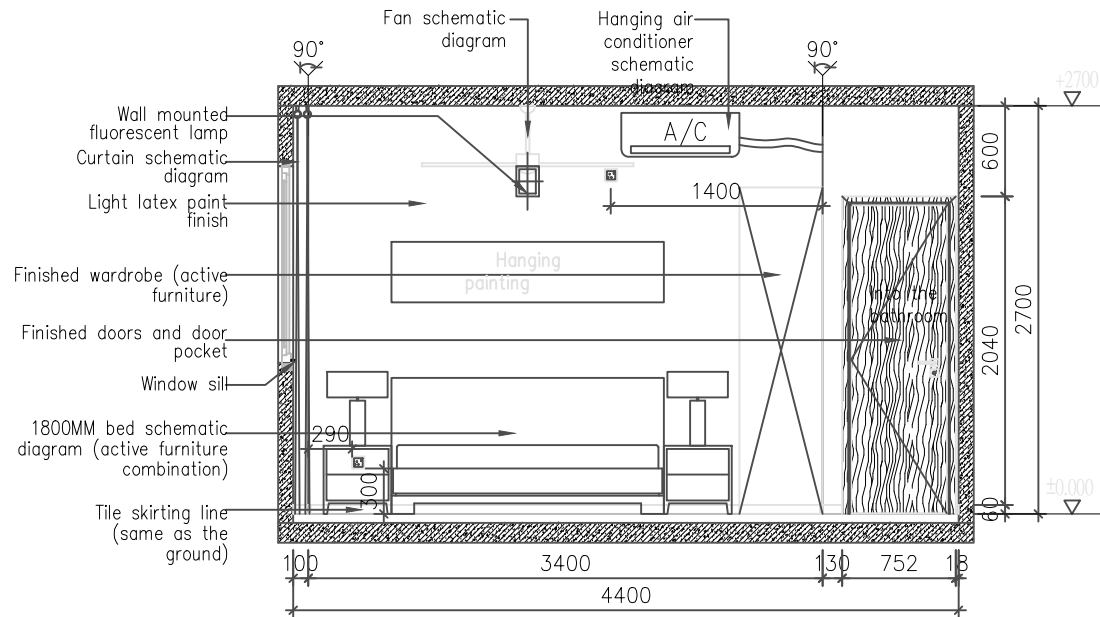
ELEVATION - 05 - A

1:50

PROPERTY : VINARES 1-10 (LOT: 20507,20508, 20509)		DRAWN BY : MAAHEE	DATE : 25/02/2024	REVISION NO.: R01	DATE : 26/02/2024
DRAWING NAME : A1 TYPE ELEVATION - 05 - A	SCALE: AS GIVEN,A4	CHECKED BY : MAHUDHEE		REVISED BY: MAAHEE	



REAL ESTATE MANAGEMENT
2ND FLOOR, CENTRO MALL, HULHUMALE'
REPUBLIC OF MALDIVES
TEL +9603353535, FAX +9603358892
EMAIL : hello@hdc.mv



PROPERTY : VINARES 1-10 (LOT: 20507, 20508, 20509)

A1 TYPE APARTMENT, MASTER BEDROOM

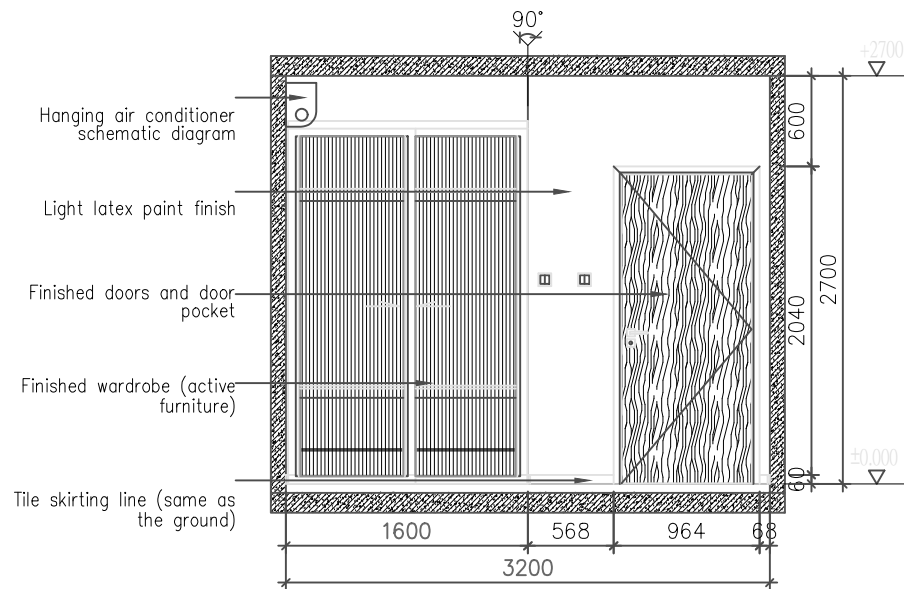
ELEVATION - 05 - B

1:50

PROPERTY : VINARES 1-10 (LOT: 20507,20508, 20509)		DRAWN BY : MAAHEE	DATE : 25/02/2024	REVISION NO.: R01	DATE : 26/02/2024
DRAWING NAME : A1 TYPE ELEVATION - 05 - B	SCALE: AS GIVEN,A4	CHECKED BY : MAHUDHEE		REVISED BY: MAAHEE	



REAL ESTATE MANAGEMENT
 2ND FLOOR, CENTRO MALL, HULHUMALE'
 REPUBLIC OF MALDIVES
 TEL +9603353535, FAX +9603358892
 EMAIL : hello@hdc.mv



PROPERTY : VINARES 1-10 (LOT: 20507, 20508, 20509)

A1 TYPE APARTMENT, MASTER BEDROOM

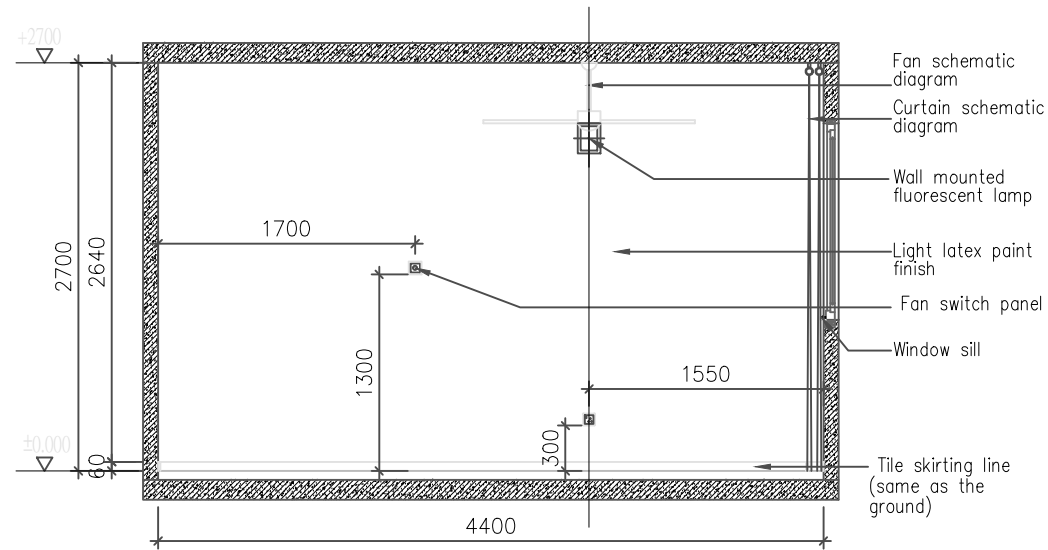
ELEVATION - 05 - C

1:50

PROPERTY : VINARES 1-10 (LOT: 20507,20508, 20509)		DRAWN BY : MAAHEE	DATE : 25/02/2024	REVISION NO.: R01	DATE : 26/02/2024
DRAWING NAME : A1 TYPE ELEVATION - 05 - C	SCALE: AS GIVEN,A4	CHECKED BY : MAHUDHEE		REVISED BY: MAAHEE	



REAL ESTATE MANAGEMENT
 2ND FLOOR, CENTRO MALL, HULHUMALE'
 REPUBLIC OF MALDIVES
 TEL +9603353535, FAX +9603358892
 EMAIL : hello@hdc.mv



PROPERTY : VINARES 1-10 (LOT: 20507, 20508, 20509)

A1 TYPE APARTMENT, MASTER BEDROOM

ELEVATION - 05 - D

1:50

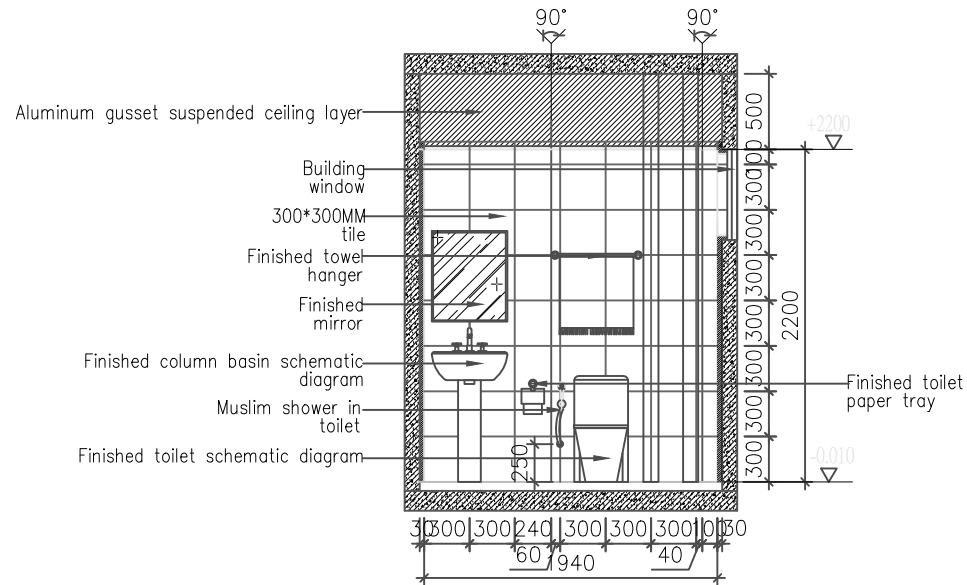
PROPERTY : VINARES 1-10 (LOT: 20507,20508, 20509)	
DRAWING NAME : A1 TYPE ELEVATION - 05 - D	SCALE: AS GIVEN,A4

DRAWN BY : MAAHEE	DATE : 25/02/2024
CHECKED BY : MAHUDHEE	

REVISION NO.: R01	DATE : 26/02/2024
REVISED BY: MAAHEE	



REAL ESTATE MANAGEMENT
 2ND FLOOR, CENTRO MALL, HULHUMALE'
 REPUBLIC OF MALDIVES
 TEL +9603353535, FAX +9603358892
 EMAIL : hello@hdc.mv



PROPERTY : VINARES 1-10 (LOT: 20507, 20508, 20509)

A1 TYPE APARTMENT, MASTER BEDROOM

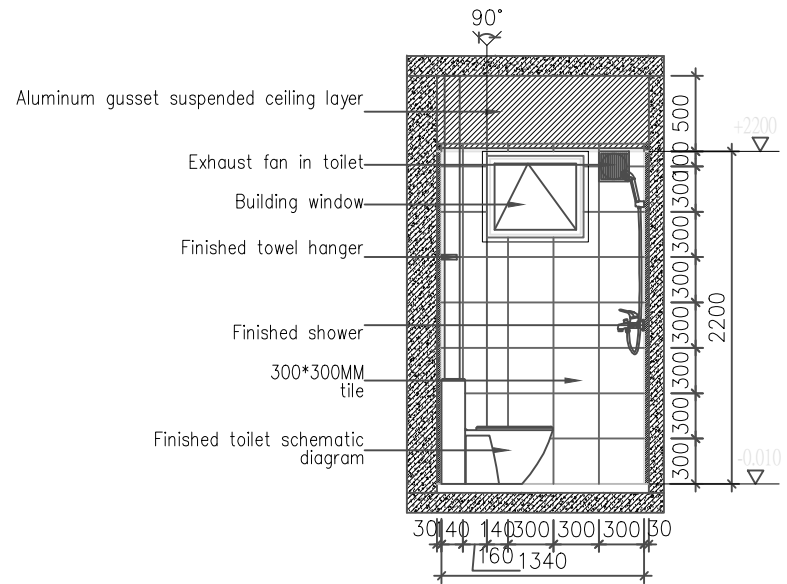
BATHROOM ELEVATION - 06 - A

1:50

PROPERTY : VINARES 1-10 (LOT: 20507,20508, 20509)	DRAWN BY : MAAHEE	DATE : 25/02/2024	REVISION NO.: R01	DATE : 26/02/2024
DRAWING NAME : A1 TYPE ELEVATION - 06 - A	CHECKED BY : MAHUDHEE		REVISED BY: MAAHEE	



REAL ESTATE MANAGEMENT
 2ND FLOOR, CENTRO MALL, HULHUMALE'
 REPUBLIC OF MALDIVES
 TEL. +9603353535, FAX +9603358892
 EMAIL : hello@hdc.mv



PROPERTY : VINARES 1-10 (LOT: 20507, 20508, 20509)

A1 TYPE APARTMENT, MASTER BEDROOM

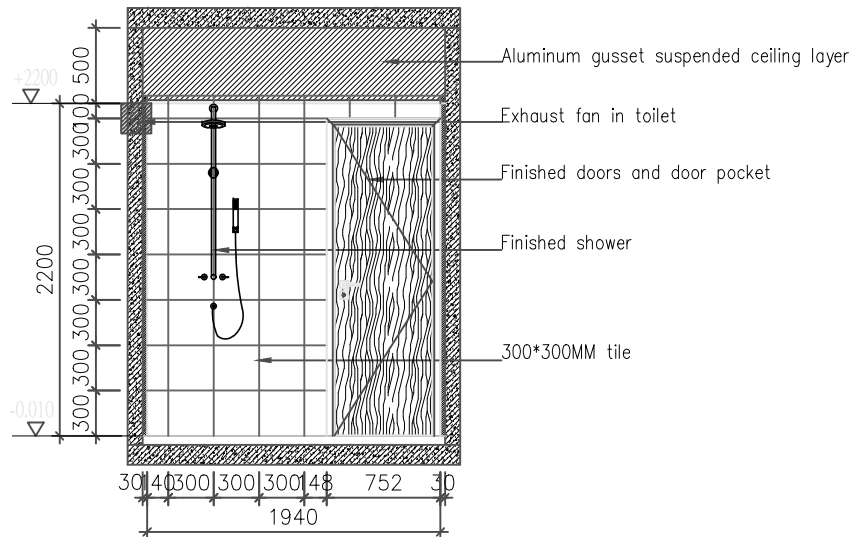
BATHROOM ELEVATION - 06 - B

1:50

PROPERTY : VINARES 1-10 (LOT: 20507,20508, 20509)		DRAWN BY : MAAHEE	DATE : 25/02/2024	REVISION NO.: R01	DATE : 26/02/2024
DRAWING NAME : A1 TYPE ELEVATION - 06 - B	SCALE: AS GIVEN,A4	CHECKED BY : MAHUDHEE		REVISED BY: MAAHEE	



REAL ESTATE MANAGEMENT
 2ND FLOOR, CENTRO MALL, HULHUMALE'
 REPUBLIC OF MALDIVES
 TEL +9603353535, FAX +9603358892
 EMAIL : hello@hdc.mv



PROPERTY : VINARES 1-10 (LOT: 20507, 20508, 20509)

A1 TYPE APARTMENT, MASTER BEDROOM

BATHROOM ELEVATION - 06 - C

1:50

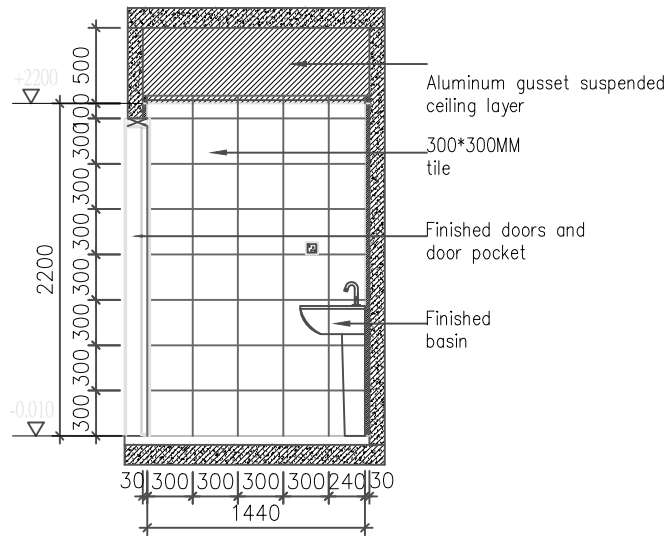
PROPERTY : VINARES 1-10 (LOT: 20507,20508, 20509)	
DRAWING NAME : A1 TYPE ELEVATION - 06 - C	SCALE: AS GIVEN,A4

DRAWN BY : MAAHEE	DATE : 25/02/2024
CHECKED BY : MAHUDHEE	

REVISION NO.: R01	DATE : 26/02/2024
REVISED BY: MAAHEE	



REAL ESTATE MANAGEMENT
 2ND FLOOR, CENTRO MALL, HULHUMALE'
 REPUBLIC OF MALDIVES
 TEL. +9603353535, FAX +9603358892
 EMAIL : hello@hdc.mv



PROPERTY : VINARES 1-10 (LOT: 20507, 20508, 20509)

A1 TYPE APARTMENT, MASTER BEDROOM

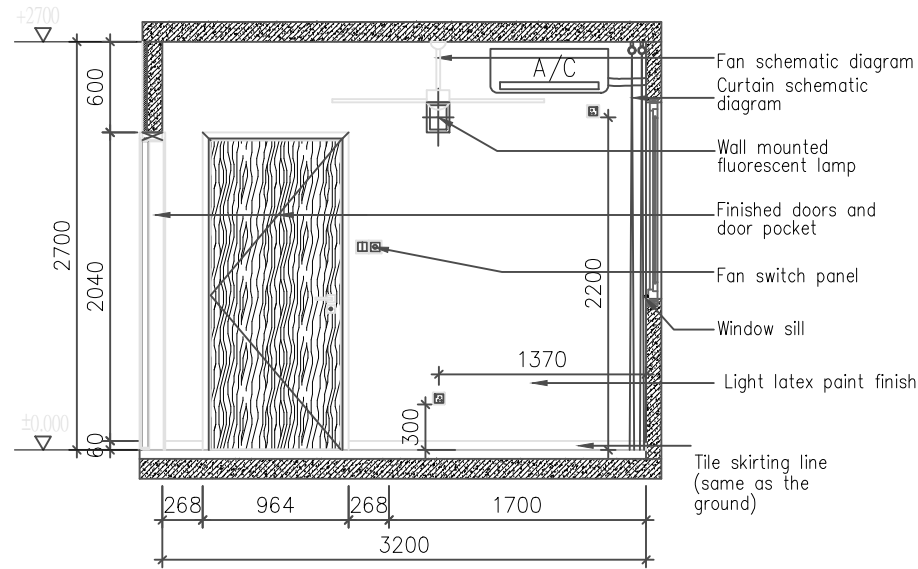
BATHROOM ELEVATION - 06 - D

1:50

PROPERTY : VINARES 1-10 (LOT: 20507,20508, 20509)		DRAWN BY : MAAHEE	DATE : 25/02/2024	REVISION NO.: R01	DATE : 26/02/2024
DRAWING NAME : A1 TYPE ELEVATION - 06 - D	SCALE: AS GIVEN,A4	CHECKED BY : MAHUDHEE		REVISED BY: MAAHEE	



REAL ESTATE MANAGEMENT
 2ND FLOOR, CENTRO MALL, HULHUMALE'
 REPUBLIC OF MALDIVES
 TEL +9603353535, FAX +9603358892
 EMAIL : hello@hdc.mv



PROPERTY : VINARES 1-10 (LOT: 20507, 20508, 20509)

A1 TYPE APARTMENT, BEDROOM II
 ELEVATION - 07 - A

1:50

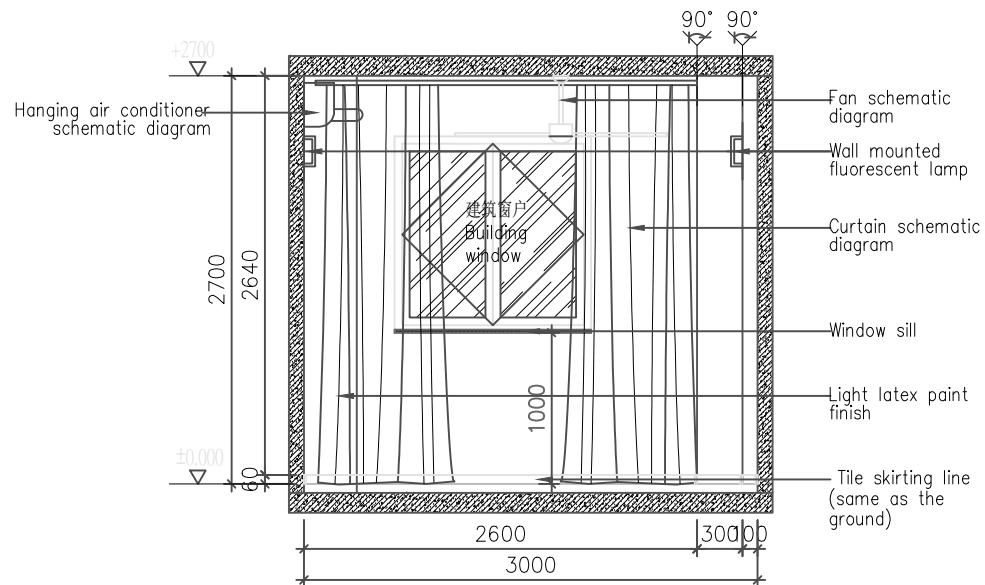
PROPERTY : VINARES 1-10 (LOT: 20507,20508, 20509)	
DRAWING NAME : A1 TYPE ELEVATION - 07 - A	SCALE: AS GIVEN,A4

DRAWN BY : MAAHEE	DATE : 25/02/2024
CHECKED BY : MAHUDHEE	

REVISION NO.: R01	DATE : 26/02/2024
REVISED BY: MAAHEE	



REAL ESTATE MANAGEMENT
 2ND FLOOR, CENTRO MALL, HULHUMALE'
 REPUBLIC OF MALDIVES
 TEL +9603353535, FAX +9603358892
 EMAIL : hello@hdc.mv



PROPERTY : VINARES 1-10 (LOT: 20507, 20508, 20509)

A1 TYPE APARTMENT, BEDROOM II

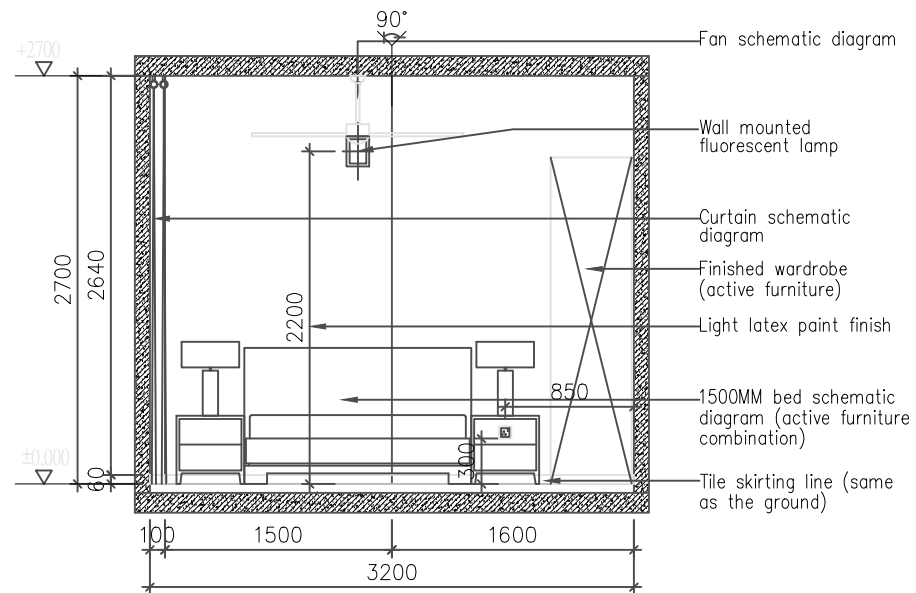
ELEVATION - 07 - B

1:50

PROPERTY : VINARES 1-10 (LOT: 20507,20508, 20509)	DRAWN BY : MAAHEE	DATE : 25/02/2024	REVISION NO.: R01	DATE : 26/02/2024
DRAWING NAME : A1 TYPE ELEVATION - 07 - B	SCALE: AS GIVEN,A4	CHECKED BY : MAHUDHEE	REVISED BY: MAAHEE	



REAL ESTATE MANAGEMENT
 2ND FLOOR, CENTRO MALL, HULHUMALE'
 REPUBLIC OF MALDIVES
 TEL +9603353535, FAX +9603358892
 EMAIL : hello@hdc.mv



PROPERTY : VINARES 1-10 (LOT: 20507, 20508, 20509)

A1 TYPE APARTMENT, BEDROOM II

ELEVATION - 07 - C

1:50

PROPERTY : VINARES 1-10 (LOT: 20507,20508, 20509)

DRAWING NAME : A1 TYPE ELEVATION - 07 - C

SCALE: AS GIVEN,A4

DRAWN BY : MAAHEE

DATE : 25/02/2024

CHECKED BY : MAHUDHEE

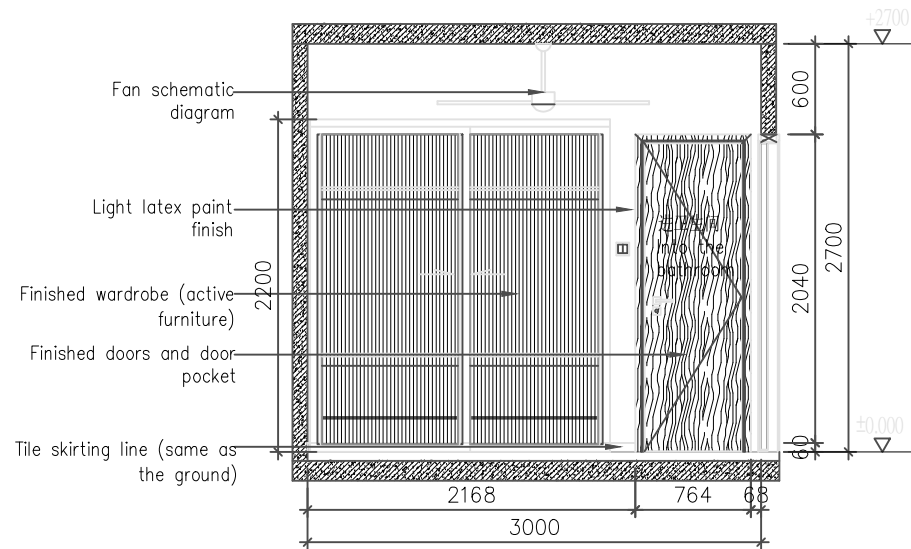
REVISION NO.: R01

DATE : 26/02/2024

REVISED BY: MAAHEE



REAL ESTATE MANAGEMENT
 2ND FLOOR, CENTRO MALL, HULHUMALE'
 REPUBLIC OF MALDIVES
 TEL +9603353535, FAX +9603358892
 EMAIL : hello@hdc.mv



PROPERTY : VINARES 1-10 (LOT: 20507, 20508, 20509)

A1 TYPE APARTMENT, BEDROOM II
 ELEVATION - 07 - D

1:50

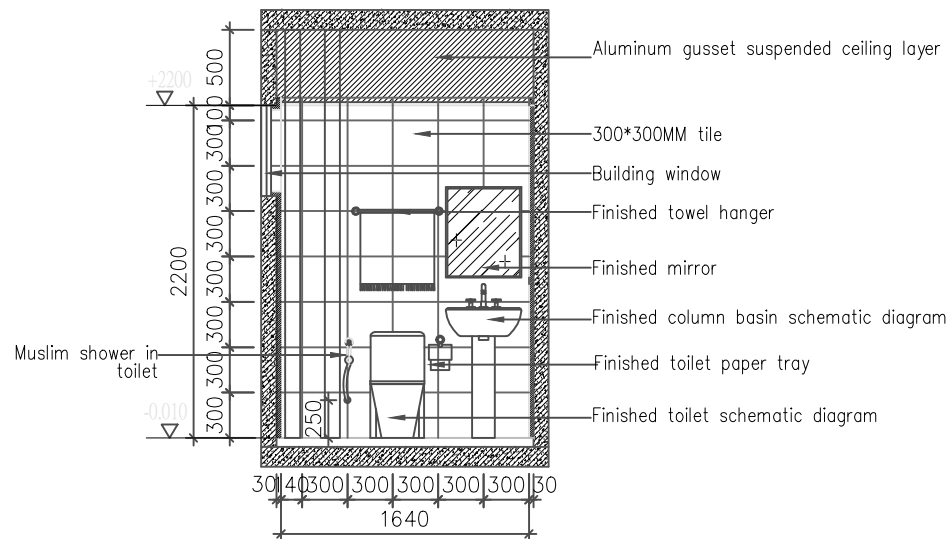
PROPERTY : VINARES 1-10 (LOT: 20507,20508, 20509)	
DRAWING NAME : A1 TYPE ELEVATION - 07 - D	SCALE: AS GIVEN,A4

DRAWN BY : MAAHEE	DATE : 25/02/2024
CHECKED BY : MAHUDHEE	

REVISION NO.: R01	DATE : 26/02/2024
REVISED BY: MAAHEE	



REAL ESTATE MANAGEMENT
 2ND FLOOR, CENTRO MALL, HULHUMALE'
 REPUBLIC OF MALDIVES
 TEL. +9603353535, FAX +9603358892
 EMAIL : hello@hdc.mv



PROPERTY : VINARES 1-10 (LOT: 20507, 20508, 20509)

A1 TYPE APARTMENT, BEDROOM II - BATHROOM

ELEVATION - 08 - A

1:50

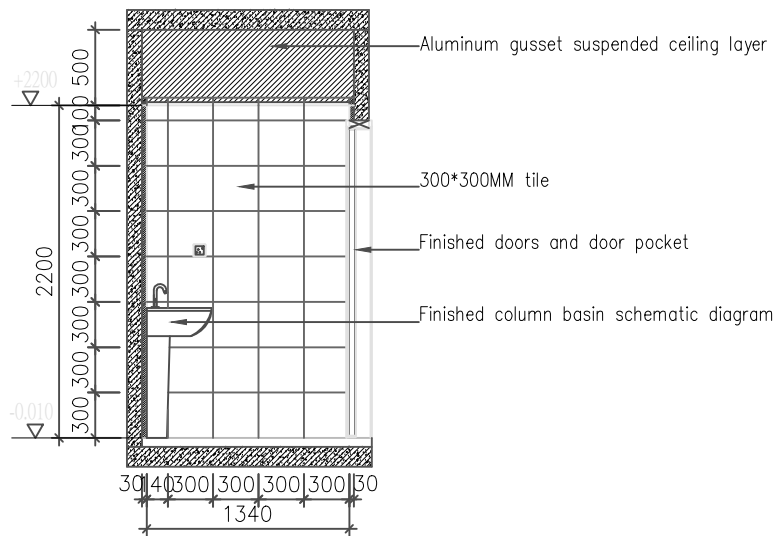
PROPERTY : VINARES 1-10 (LOT: 20507,20508, 20509)	
DRAWING NAME : A1 TYPE ELEVATION - 08 - A	SCALE: AS GIVEN,A4

DRAWN BY : MAAHEE	DATE : 25/02/2024
CHECKED BY : MAHUDHEE	

REVISION NO.: R01	DATE : 26/02/2024
REVISED BY: MAAHEE	



REAL ESTATE MANAGEMENT
2ND FLOOR, CENTRO MALL, HULHUMALE'
REPUBLIC OF MALDIVES
TEL +9603353535, FAX +9603358892
EMAIL : hello@hdc.mv



PROPERTY : VINARES 1-10 (LOT: 20507, 20508, 20509)

A1 TYPE APARTMENT, BEDROOM II - BATHROOM

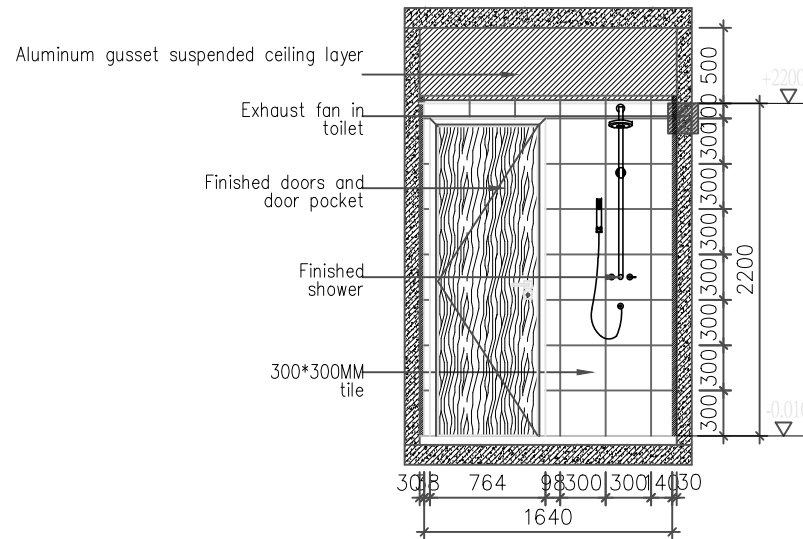
ELEVATION - 08 - B

1:50

PROPERTY : VINARES 1-10 (LOT: 20507,20508, 20509)		DRAWN BY : MAAHEE	DATE : 25/02/2024	REVISION NO.: R01	DATE : 26/02/2024
DRAWING NAME : A1 TYPE ELEVATION - 08 - B	SCALE: AS GIVEN,A4	CHECKED BY : MAHUDHEE		REVISED BY: MAAHEE	



REAL ESTATE MANAGEMENT
 2ND FLOOR, CENTRO MALL, HULHUMALE'
 REPUBLIC OF MALDIVES
 TEL. +9603353535, FAX +9603358892
 EMAIL : hello@hdc.mv



PROPERTY : VINARES 1-10 (LOT: 20507, 20508, 20509)

A1 TYPE APARTMENT, BEDROOM II - BATHROOM

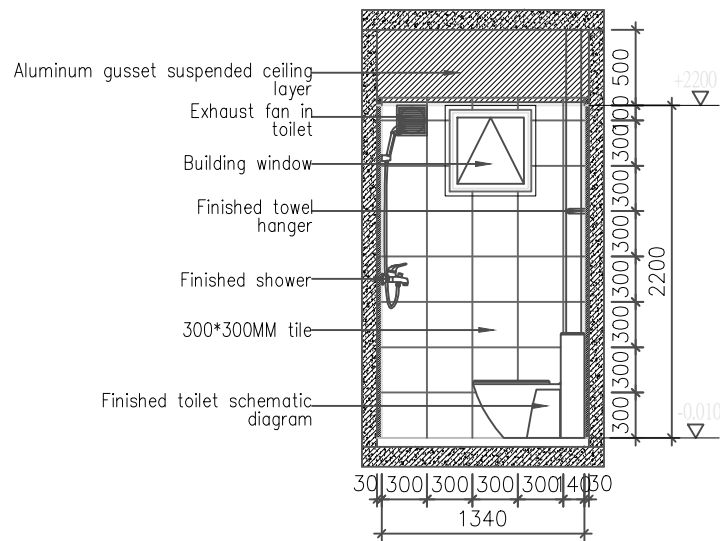
ELEVATION - 08 - C

1:50

PROPERTY : VINARES 1-10 (LOT: 20507,20508, 20509)		DRAWN BY : MAAHEE	DATE : 25/02/2024	REVISION NO.: R01	DATE : 26/02/2024
DRAWING NAME : A1 TYPE ELEVATION - 08 - C	SCALE: AS GIVEN,A4	CHECKED BY : MAHUDHEE		REVISED BY: MAAHEE	



REAL ESTATE MANAGEMENT
 2ND FLOOR, CENTRO MALL, HULHUMALE'
 REPUBLIC OF MALDIVES
 TEL. +9603353535, FAX +9603358892
 EMAIL : hello@hdc.mv



PROPERTY : VINARES 1-10 (LOT: 20507, 20508, 20509)

A1 TYPE APARTMENT, BEDROOM II - BATHROOM

ELEVATION - 08 - D

1:50

PROPERTY : VINARES 1-10 (LOT: 20507,20508, 20509)	
DRAWING NAME : A1 TYPE ELEVATION - 08 - D	SCALE: AS GIVEN,A4

DRAWN BY : MAAHEE	DATE : 25/02/2024
CHECKED BY : MAHUDHEE	

REVISION NO.: R01	DATE : 26/02/2024
REVISED BY: MAAHEE	



REAL ESTATE MANAGEMENT
 2ND FLOOR, CENTRO MALL, HULHUMALE'
 REPUBLIC OF MALDIVES
 TEL +9603353535, FAX +9603358892
 EMAIL : hello@hdc.mv