

PROPERTY : VINARES 1 -10 (LOT: 20507, 20508, 20509)

UNIT NO: TYPE A1 (X01, X02, X04, X05)

FLOOR PLAN

1:50

NOTE:

1. See the plan for the direction of wire pipe in concrete
2. □ — 77*77* 56 PVC cable box

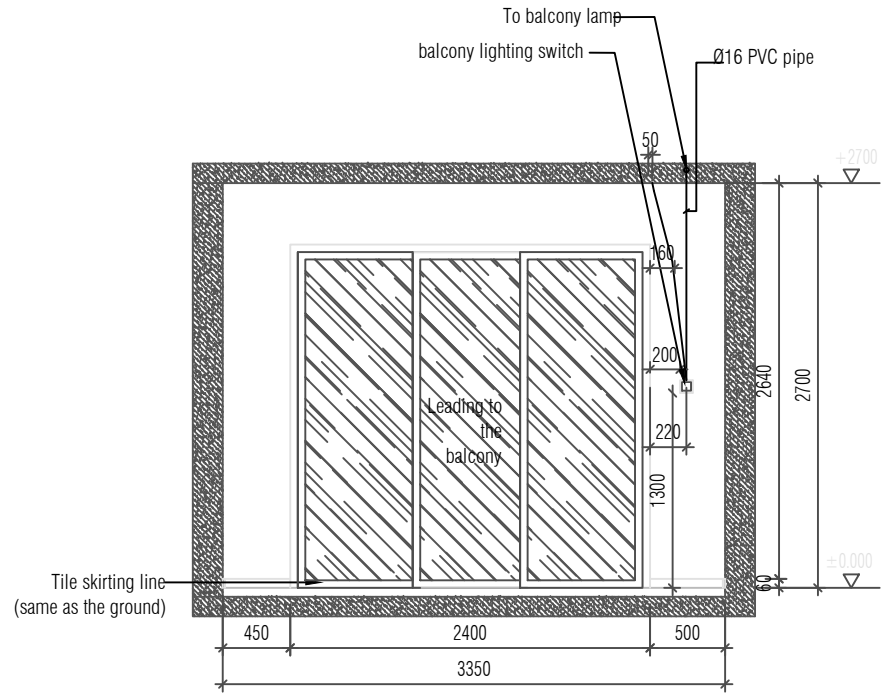
PROPERTY : VINARES 1-10 (LOT: 20507,20508, 20509)	
DRAWING NAME : ROOM WALL CONDUIT TYPE A1	SCALE: AS GIVEN,A4

DRAWN BY : MOHAMED SHIYAAH	DATE : 25/02/2024
CHECKED BY : AHMED MAHUDHEE	

REVISION NO.: R00	DATE :
REVISED BY:	



REAL ESTATE MANAGEMENT
 2ND FLOOR, CENTRO MALL, HULHUMALE'
 REPUBLIC OF MALDIVES
 TEL- +9603353535, FAX +9603358882
 EMAIL : hello@hdc.mv



PROPERTY : VINARES 1 -10 (LOT: 20507, 20508, 20509)

UNIT NO: TYPE A1 (X01, X02, X04, X05)
 DINING AND LIVING ROOM | ELEVATION 1/B

1:50

NOTE:

1. See the plan for the direction of wire pipe in concrete
2. □ — 77*77* 56 PVC cable box

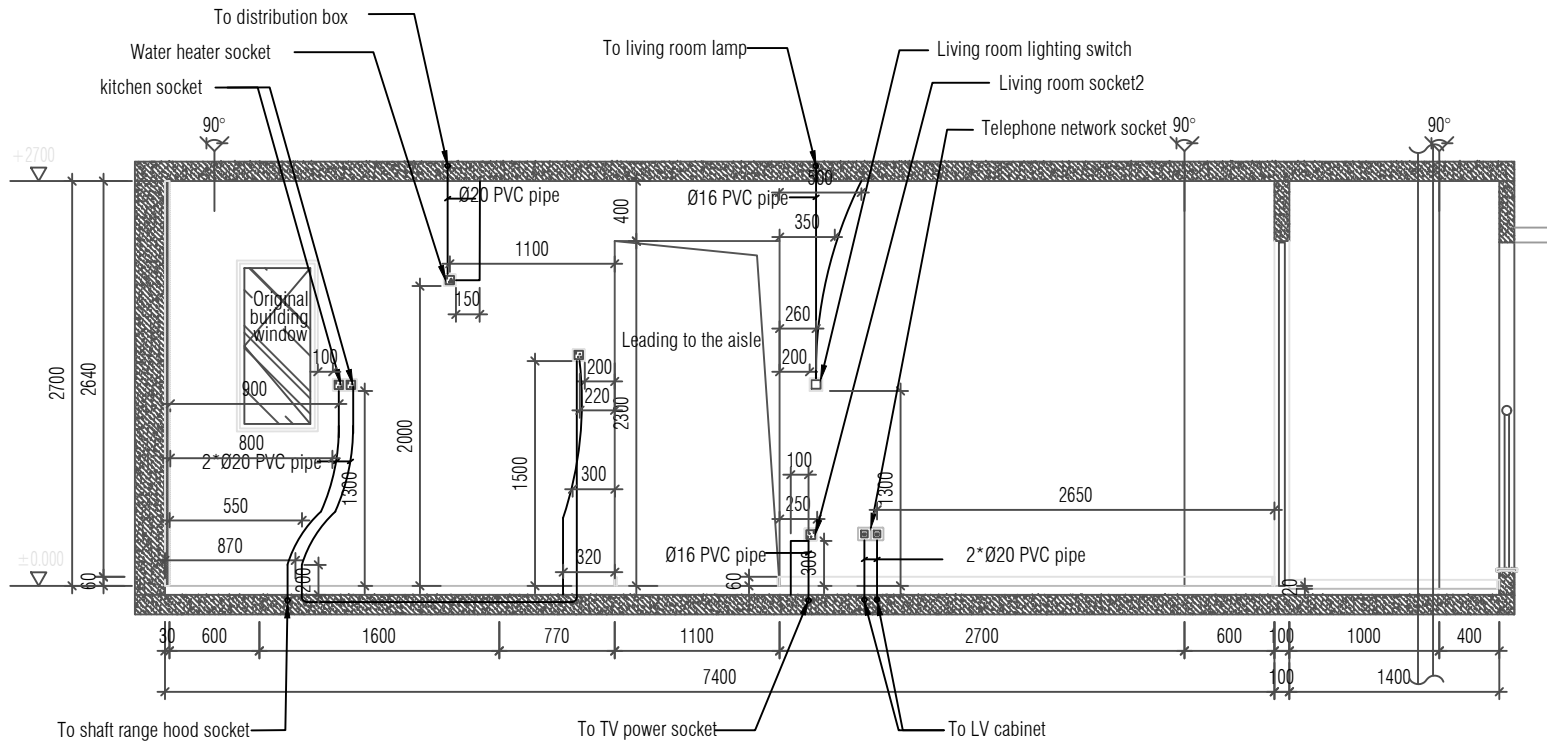
PROPERTY : VINARES 1-10 (LOT: 20507,20508, 20509)	SCALE: AS GIVEN,A4
DRAWING NAME : ROOM WALL CONDUIT TYPE A1	

DRAWN BY : MOHAMED SHIYAAH	DATE : 25/02/2024
CHECKED BY : AHMED MAHUDHEE	

REVISION NO.: R00	DATE :
REVISED BY:	



REAL ESTATE MANAGEMENT
 2ND FLOOR, CENTRO MALL, HULHUMALE'
 REPUBLIC OF MALDIVES
 TEL- +9603353535, FAX +9603358892
 EMAIL : hello@hdc.mv



PROPERTY : VINARES 1 -10 (LOT: 20507, 20508, 20509)

UNIT NO: TYPE A1 (X01, X02, X04, X05)
 DINING AND LIVING ROOM | ELEVATION 1/C

1:50

NOTE:

1. See the plan for the direction of wire pipe in concrete
2. □ — 77*77* 56 PVC cable box

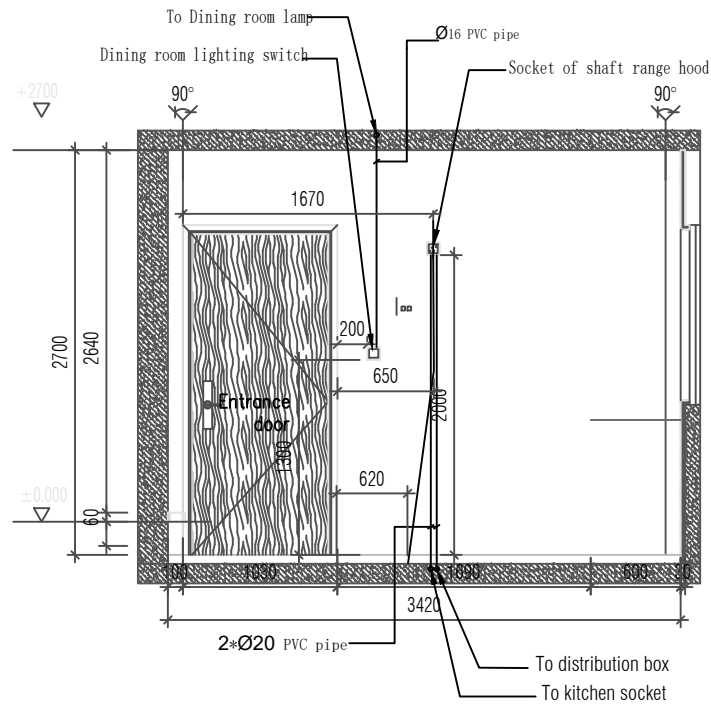
PROPERTY : VINARES 1-10 (LOT: 20507,20508, 20509)	
DRAWING NAME : ROOM WALL CONDUIT TYPE A1	SCALE: AS GIVEN,A4

DRAWN BY : MOHAMED SHIYAAH	DATE : 25/02/2024
CHECKED BY : AHMED MAHUDHEE	

REVISION NO.: R00	DATE :
REVISED BY:	



REAL ESTATE MANAGEMENT
 2ND FLOOR, CENTRO MALL, HULHUMALE*
 REPUBLIC OF MALDIVES
 TEL- +9603353535, FAX +9603358892
 EMAIL : hello@hdc.mv



PROPERTY : VINARES 1 -10 (LOT: 20507, 20508, 20509)

UNIT NO: TYPE A1 (X01, X02, X04, X05)
 DINING AND LIVING ROOM | ELEVATION 1/D

1:50

NOTE:

1. See the plan for the direction of wire pipe in concrete
2. □ — 77*77* 56 PVC cable box

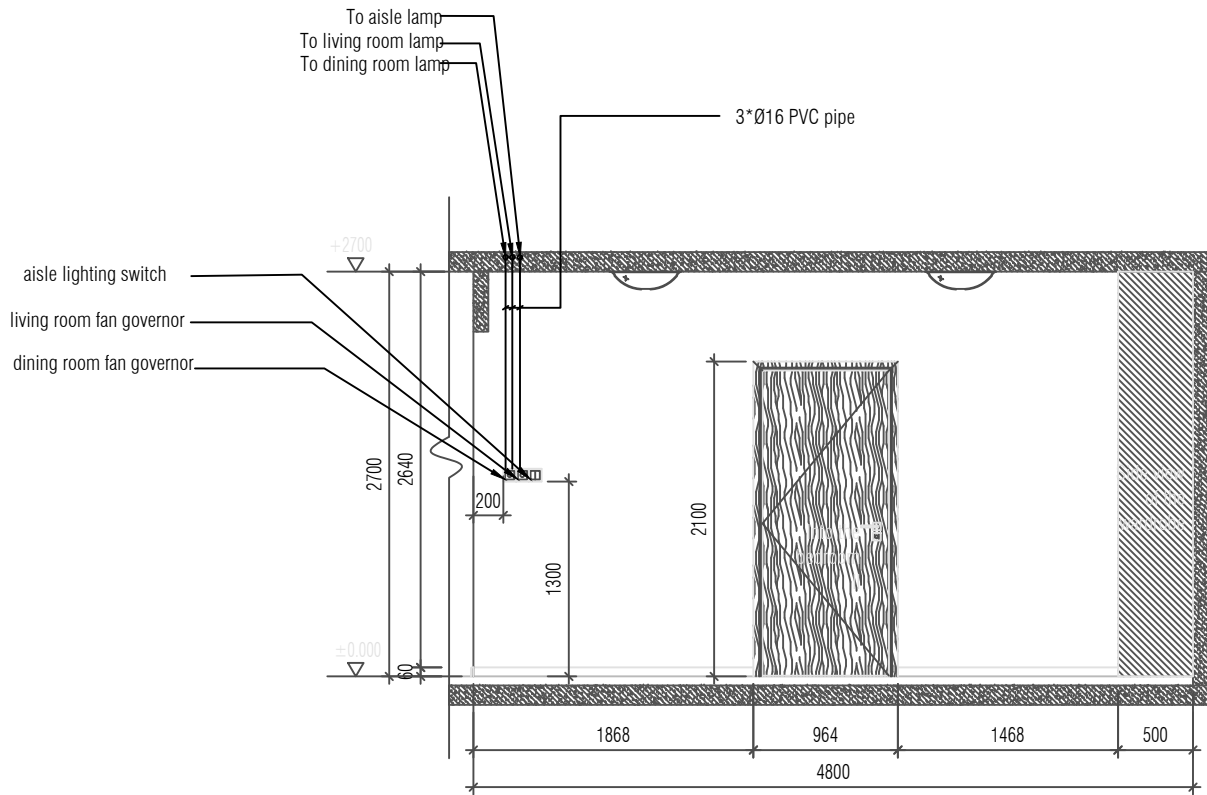
PROPERTY : VINARES 1-10 (LOT: 20507,20508, 20509)	
DRAWING NAME : ROOM WALL CONDUIT TYPE A1	SCALE: AS GIVEN,A4

DRAWN BY : MOHAMED SHIYAAH	DATE : 25/02/2024
CHECKED BY : AHMED MAHUDHEE	

REVISION NO.: R00	DATE :
REVISED BY:	



REAL ESTATE MANAGEMENT
 2ND FLOOR, CENTRO MALL, HULHUMALE'
 REPUBLIC OF MALDIVES
 TEL- +9603353535, FAX +9603358892
 EMAIL : hello@hdc.mv



PROPERTY : VINARES 1 -10 (LOT: 20507, 20508, 20509)

UNIT NO: TYPE A1 (X01, X02, X04, X05)

AISLE | ELEVATION 2/C

1:50

NOTE:

1. See the plan for the direction of wire pipe in concrete
2. □ — 77*77* 56 PVC cable box

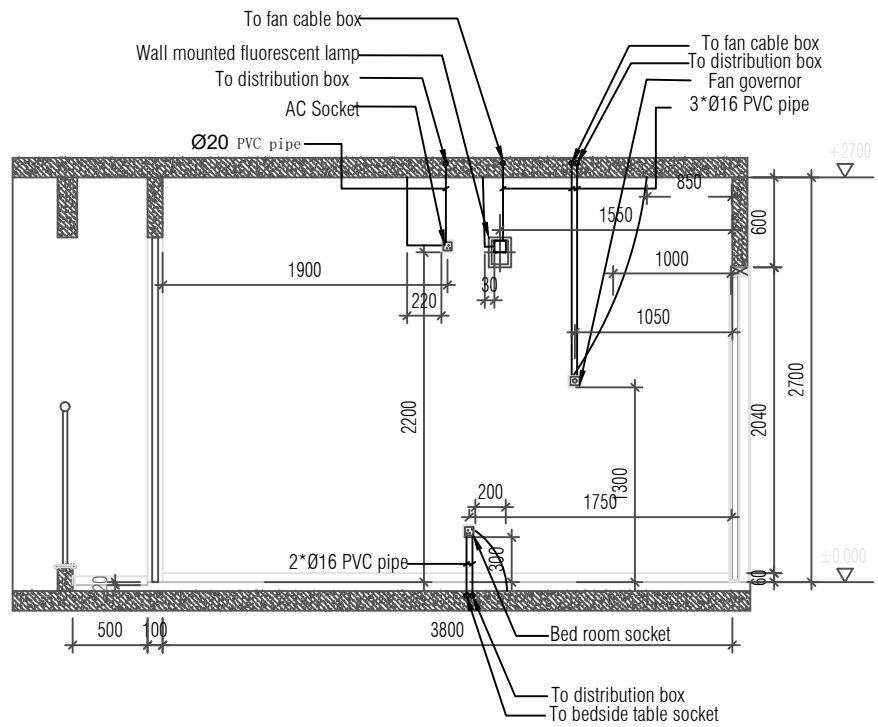
PROPERTY : VINARES 1-10 (LOT: 20507,20508, 20509)	SCALE: AS GIVEN,A4
DRAWING NAME : ROOM WALL CONDUIT TYPE A1	

DRAWN BY : MOHAMED SHIYAAH	DATE : 25/02/2024
CHECKED BY : AHMED MAHUDHEE	

REVISION NO.: R00	DATE :
REVISED BY:	



REAL ESTATE MANAGEMENT
 2ND FLOOR, CENTRO MALL, HULHUMALE'
 REPUBLIC OF MALDIVES
 TEL- +9603353535, FAX +9603358892
 EMAIL : hello@hdc.mv

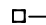


PROPERTY : VINARES 1 -10 (LOT: 20507, 20508, 20509)

UNIT NO: TYPE A1 (X01, X02, X04, X05)
 BEDROOM 1 | ELEVATION 3/A

1:50

NOTE:

1. See the plan for the direction of wire pipe in concrete
2.  77*77* 56 PVC cable box

PROPERTY : VINARES 1-10 (LOT: 20507,20508, 20509)	
DRAWING NAME : ROOM WALL CONDUIT TYPE A1	SCALE: AS GIVEN,A4

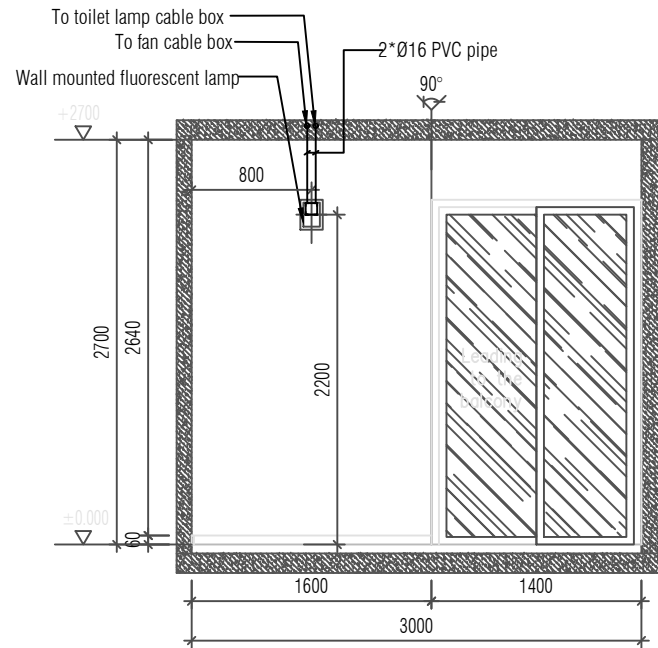
DRAWN BY : MOHAMED SHIYAAH	DATE : 25/02/2024
CHECKED BY : AHMED MAHUDHEE	

REVISION NO.: R00	DATE :
REVISED BY:	



**HOUSING
DEVELOPMENT
CORPORATION**

REAL ESTATE MANAGEMENT
 2ND FLOOR, CENTRO MALL, HULHUMALE'
 REPUBLIC OF MALDIVES
 TEL- +9603353535, FAX +9603358892
 EMAIL : hello@hdc.mv



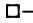
PROPERTY : VINARES 1 -10 (LOT: 20507, 20508, 20509)

UNIT NO: TYPE A1 (X01, X02, X04, X05)

BEDROOM 1 | ELEVATION 3/B

1:50

NOTE:

1. See the plan for the direction of wire pipe in concrete
2.  — 77*77* 56 PVC cable box

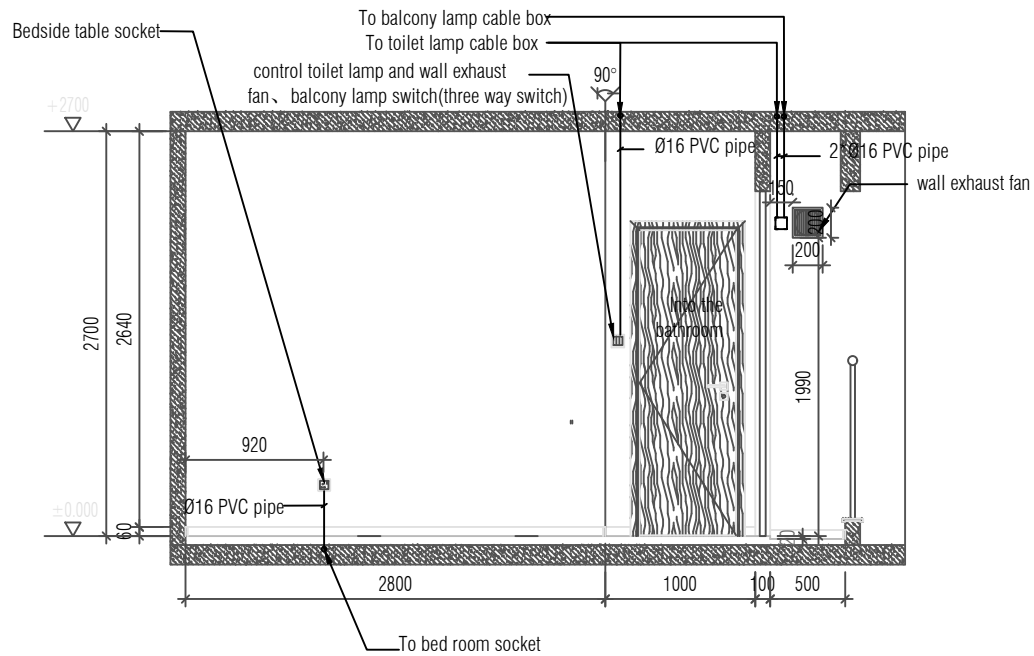
PROPERTY : VINARES 1-10 (LOT: 20507,20508, 20509)	
DRAWING NAME : ROOM WALL CONDUIT TYPE A1	SCALE: AS GIVEN,A4

DRAWN BY : MOHAMED SHIYAAH	DATE : 25/02/2024
CHECKED BY : AHMED MAHUDHEE	

REVISION NO.: R00	DATE :
REVISED BY:	



REAL ESTATE MANAGEMENT
 2ND FLOOR, CENTRO MALL, HULHUMALE'
 REPUBLIC OF MALDIVES
 TEL- +9603353535, FAX +9603358882
 EMAIL : hello@hdc.mv



PROPERTY : VINARES 1 -10 (LOT: 20507, 20508, 20509)

UNIT NO: TYPE A1 (X01, X02, X04, X05)
 BEDROOM 1 | ELEVATION 3/C

1:50

NOTE:

1. See the plan for the direction of wire pipe in concrete
2. □ — 77*77* 56 PVC cable box

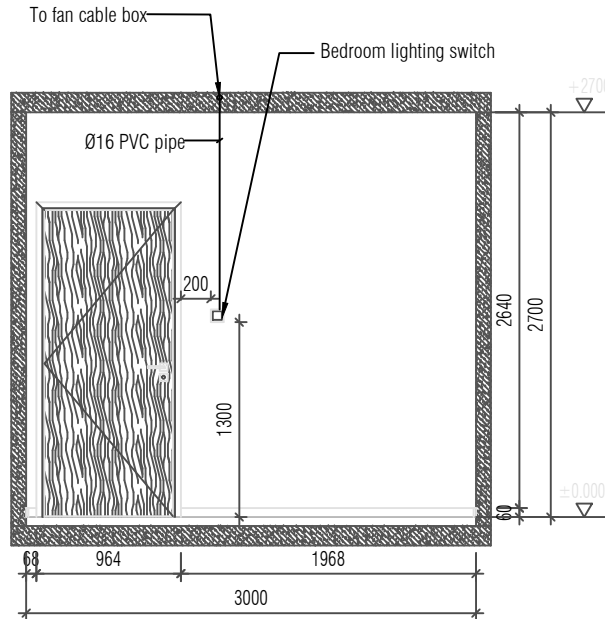
PROPERTY : VINARES 1-10 (LOT: 20507,20508, 20509)	
DRAWING NAME : ROOM WALL CONDUIT TYPE A1	SCALE: AS GIVEN,A4

DRAWN BY : MOHAMED SHIYAAH	DATE : 25/02/2024
CHECKED BY : AHMED MAHUDHEE	

REVISION NO.: R00	DATE :
REVISED BY:	



REAL ESTATE MANAGEMENT
 2ND FLOOR, CENTRO MALL, HULHUMALE'
 REPUBLIC OF MALDIVES
 TEL- +9603353535, FAX +9603358892
 EMAIL : hello@hdc.mv



PROPERTY : VINARES 1 -10 (LOT: 20507, 20508, 20509)

UNIT NO: TYPE A1 (X01, X02, X04, X05)

BEDROOM 1 | ELEVATION 3/D

1:50

NOTE:

1. See the plan for the direction of wire pipe in concrete
2. □ — 77*77* 56 PVC cable box

PROPERTY : VINARES 1-10 (LOT: 20507,20508, 20509)	
DRAWING NAME : ROOM WALL CONDUIT TYPE A1	SCALE: AS GIVEN,A4

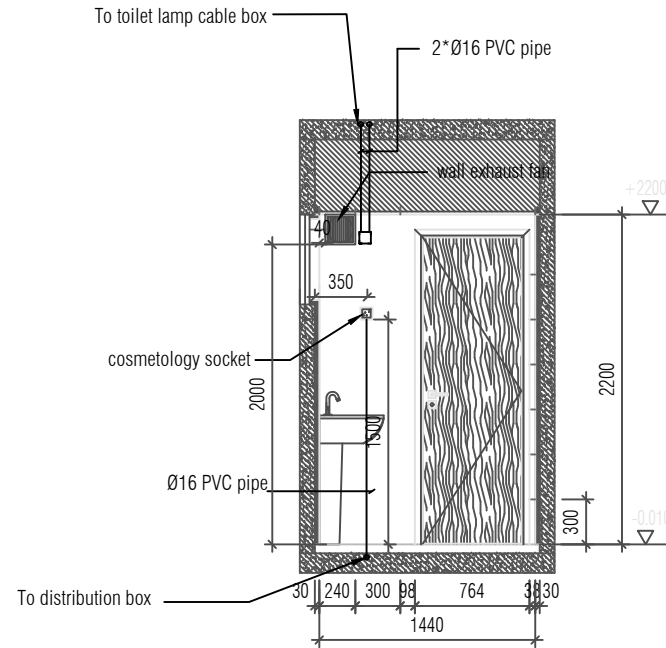
DRAWN BY : MOHAMED SHIYAAH	DATE : 25/02/2024
CHECKED BY : AHMED MAHUDHEE	

REVISION NO.: R00	DATE :
REVISED BY:	



Handwritten signature

REAL ESTATE MANAGEMENT
 2ND FLOOR, CENTRO MALL, HULHUMALE'
 REPUBLIC OF MALDIVES
 TEL- +9603353535, FAX +9603358892
 EMAIL : hello@hdc.mv



PROPERTY : VINARES 1 -10 (LOT: 20507, 20508, 20509)

UNIT NO: TYPE A1 (X01, X02, X04, X05)
 BEDROOM 1 BATHROOM | ELEVATION 4/D

1:50

NOTE:

1. See the plan for the direction of wire pipe in concrete
2. □ — 77*77* 56 PVC cable box

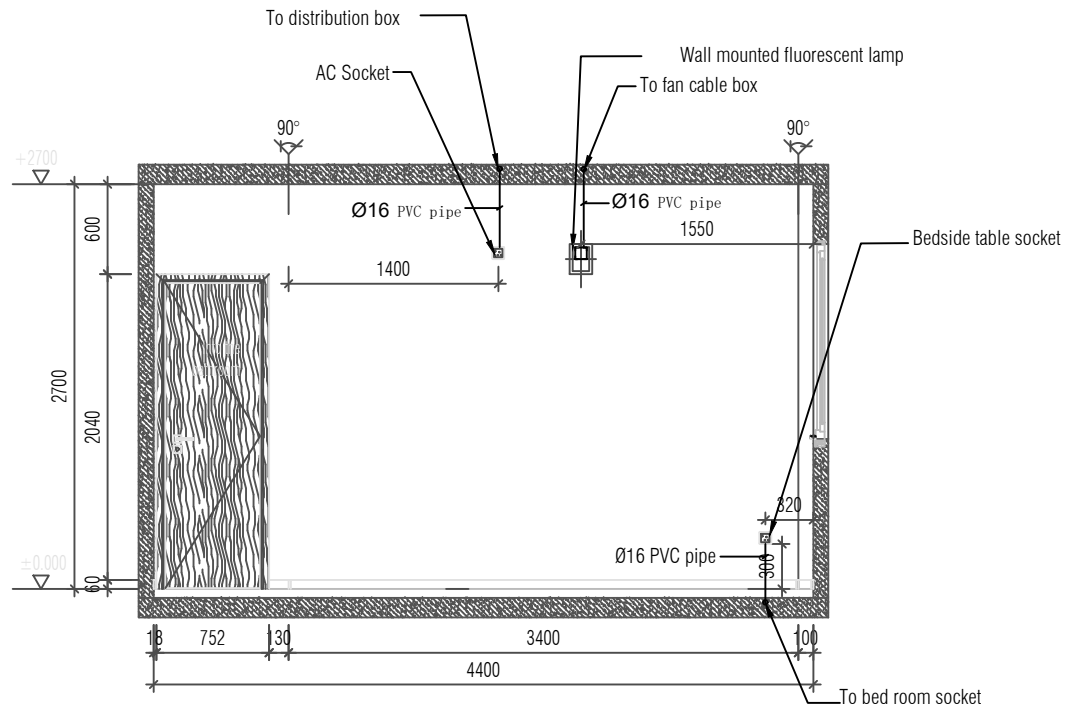
PROPERTY : VINARES 1-10 (LOT: 20507,20508, 20509)	
DRAWING NAME : ROOM WALL CONDUIT TYPE A1	SCALE: AS GIVEN,A4

DRAWN BY : MOHAMED SHIYAAH	DATE : 25/02/2024
CHECKED BY : AHMED MAHUDHEE	

REVISION NO.: R00	DATE :
REVISED BY:	



REAL ESTATE MANAGEMENT
 2ND FLOOR, CENTRO MALL, HULHUMALE'
 REPUBLIC OF MALDIVES
 TEL- +9603353535, FAX +9603358892
 EMAIL : hello@hdc.mv



PROPERTY : VINARES 1 -10 (LOT: 20507, 20508, 20509)

UNIT NO: TYPE A1 (X01, X02, X04, X05)
 MASTER BEDROOM | ELEVATION 5/B

1:50

NOTE:

1. See the plan for the direction of wire pipe in concrete
2. □ — 77*77* 56 PVC cable box

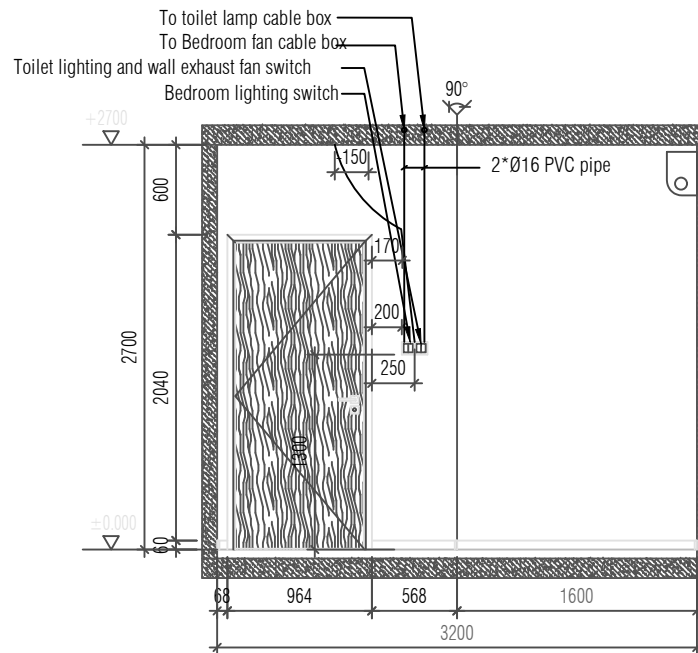
PROPERTY : VINARES 1-10 (LOT: 20507,20508, 20509)	
DRAWING NAME : ROOM WALL CONDUIT TYPE A1	SCALE: AS GIVEN,A4

DRAWN BY : MOHAMED SHIYAAH	DATE : 25/02/2024
CHECKED BY : AHMED MAHUDHEE	

REVISION NO.: R00	DATE :
REVISED BY:	



REAL ESTATE MANAGEMENT
 2ND FLOOR, CENTRO MALL, HULHUMALE'
 REPUBLIC OF MALDIVES
 TEL- +9603353535, FAX +9603358892
 EMAIL : hello@hdc.mv



PROPERTY : VINARES 1 -10 (LOT: 20507, 20508, 20509)

UNIT NO: TYPE A1 (X01, X02, X04, X05)
 MASTER BEDROOM | ELEVATION 5/C

1:50

NOTE:

1. See the plan for the direction of wire pipe in concrete
2. □ — 77*77* 56 PVC cable box

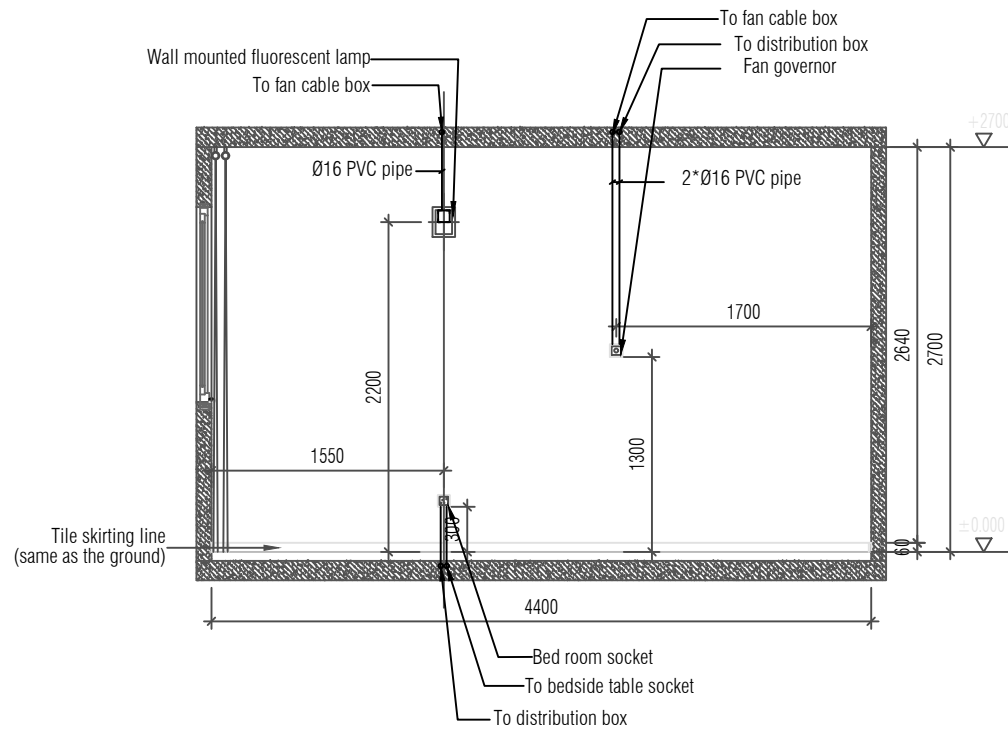
PROPERTY : VINARES 1-10 (LOT: 20507,20508, 20509)	
DRAWING NAME : ROOM WALL CONDUIT TYPE A1	SCALE: AS GIVEN,A4

DRAWN BY : MOHAMED SHIYAAH	DATE : 25/02/2024
CHECKED BY : AHMED MAHUDHEE	

REVISION NO.: R00	DATE :
REVISED BY:	

**HOUSING
DEVELOPMENT
CORPORATION**

REAL ESTATE MANAGEMENT
 2ND FLOOR, CENTRO MALL, HULHUMALE'
 REPUBLIC OF MALDIVES
 TEL- +9603353535, FAX +9603358892
 EMAIL : hello@hdc.mv



PROPERTY : VINARES 1 -10 (LOT: 20507, 20508, 20509)

UNIT NO: TYPE A1 (X01, X02, X04, X05)
 MASTER BEDROOM | ELEVATION 5/D

1:50

NOTE:

1. See the plan for the direction of wire pipe in concrete
2. □ — 77*77* 56 PVC cable box

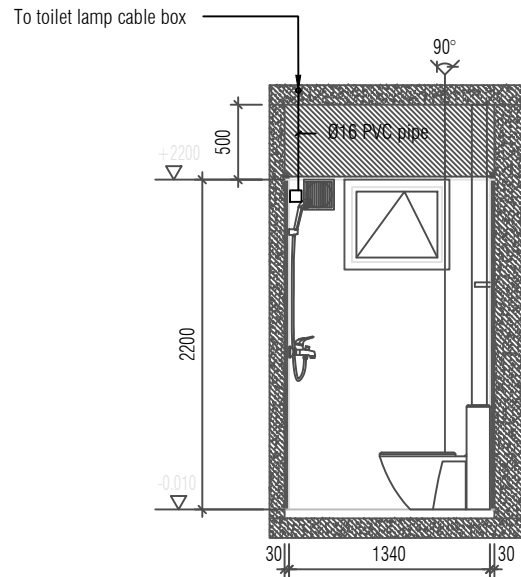
PROPERTY : VINARES 1-10 (LOT: 20507,20508, 20509)	
DRAWING NAME : ROOM WALL CONDUIT TYPE A1	SCALE: AS GIVEN,A4

DRAWN BY : MOHAMED SHIYAAH	DATE : 25/02/2024
CHECKED BY : AHMED MAHUDHEE	

REVISION NO.: R00	DATE :
REVISED BY:	



REAL ESTATE MANAGEMENT
 2ND FLOOR, CENTRO MALL, HULHUMALE'
 REPUBLIC OF MALDIVES
 TEL- +9603353535, FAX +9603358892
 EMAIL : hello@hdc.mv



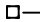
PROPERTY : VINARES 1 -10 (LOT: 20507, 20508, 20509)

UNIT NO: TYPE A1 (X01, X02, X04, X05)

MASTER BEDROOM BATHROOM | ELEVATION 6/B

1:50

NOTE:

1. See the plan for the direction of wire pipe in concrete
2.  77*77* 56 PVC cable box

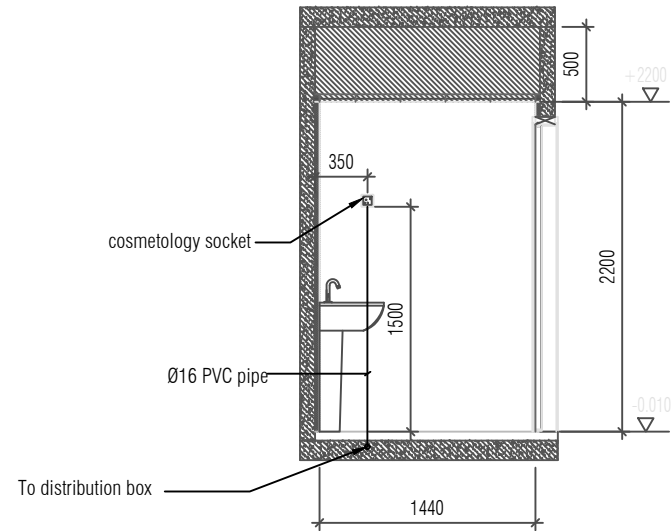
PROPERTY : VINARES 1-10 (LOT: 20507,20508, 20509)	
DRAWING NAME : ROOM WALL CONDUIT TYPE A1	SCALE: AS GIVEN,A4

DRAWN BY : MOHAMED SHIYAAH	DATE : 25/02/2024
CHECKED BY : AHMED MAHUDHEE	

REVISION NO.: R00	DATE :
REVISED BY:	



REAL ESTATE MANAGEMENT
 2ND FLOOR, CENTRO MALL, HULHUMALE'
 REPUBLIC OF MALDIVES
 TEL- +9603353535, FAX +9603358882
 EMAIL : hello@hdc.mv



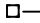
PROPERTY : VINARES 1 -10 (LOT: 20507, 20508, 20509)

UNIT NO: TYPE A1 (X01, X02, X04, X05)

MASTER BEDROOM BATHROOM | ELEVATION 6/D

1:50

NOTE:

1. See the plan for the direction of wire pipe in concrete
2.  77*77* 56 PVC cable box

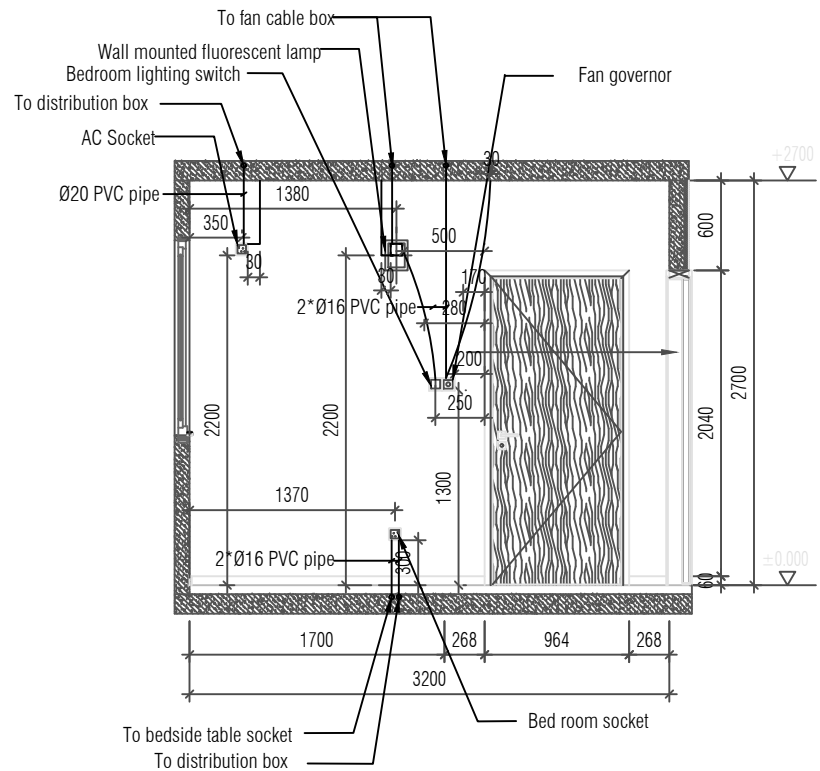
PROPERTY : VINARES 1-10 (LOT: 20507,20508, 20509)	
DRAWING NAME : ROOM WALL CONDUIT TYPE A1	SCALE: AS GIVEN,A4

DRAWN BY : MOHAMED SHIYAAH	DATE : 25/02/2024
CHECKED BY : AHMED MAHUDHEE	

REVISION NO.: R00	DATE :
REVISED BY:	



REAL ESTATE MANAGEMENT
 2ND FLOOR, CENTRO MALL, HULHUMALE'
 REPUBLIC OF MALDIVES
 TEL- +9603353535, FAX +9603358882
 EMAIL : hello@hdc.mv



PROPERTY : VINARES 1 -10 (LOT: 20507, 20508, 20509)

UNIT NO: TYPE A1 (X01, X02, X04, X05)

BEDROOM 2 | ELEVATION 7/A

1:50

NOTE:

1. See the plan for the direction of wire pipe in concrete
2. □ — 77*77* 56 PVC cable box

PROPERTY : VINARES 1-10 (LOT: 20507,20508, 20509)	
DRAWING NAME : ROOM WALL CONDUIT TYPE A1	SCALE: AS GIVEN,A4

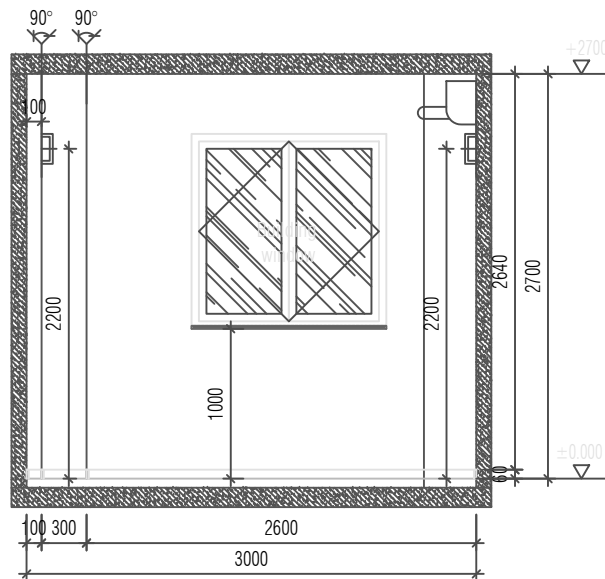
DRAWN BY : MOHAMED SHIYAAH	DATE : 25/02/2024
CHECKED BY : AHMED MAHUDHEE	

REVISION NO.: R00	DATE :
REVISED BY:	



HOUSING DEVELOPMENT CORPORATION

REAL ESTATE MANAGEMENT
2ND FLOOR, CENTRO MALL, HULHUMALE*
REPUBLIC OF MALDIVES
TEL- +9603353535, FAX +9603358892
EMAIL : hello@hdc.mv



PROPERTY : VINARES 1 -10 (LOT: 20507, 20508, 20509)

UNIT NO: TYPE A1 (X01, X02, X04, X05)

BEDROOM 2 | ELEVATION 7/B

1:50

NOTE:

1. See the plan for the direction of wire pipe in concrete
2. □ — 77*77* 56 PVC cable box

PROPERTY : VINARES 1-10 (LOT: 20507,20508, 20509)

DRAWING NAME : ROOM WALL CONDUIT TYPE A1

SCALE: AS GIVEN,A4

DRAWN BY : MOHAMED SHIYAAH

DATE : 25/02/2024

CHECKED BY : AHMED MAHUDHEE

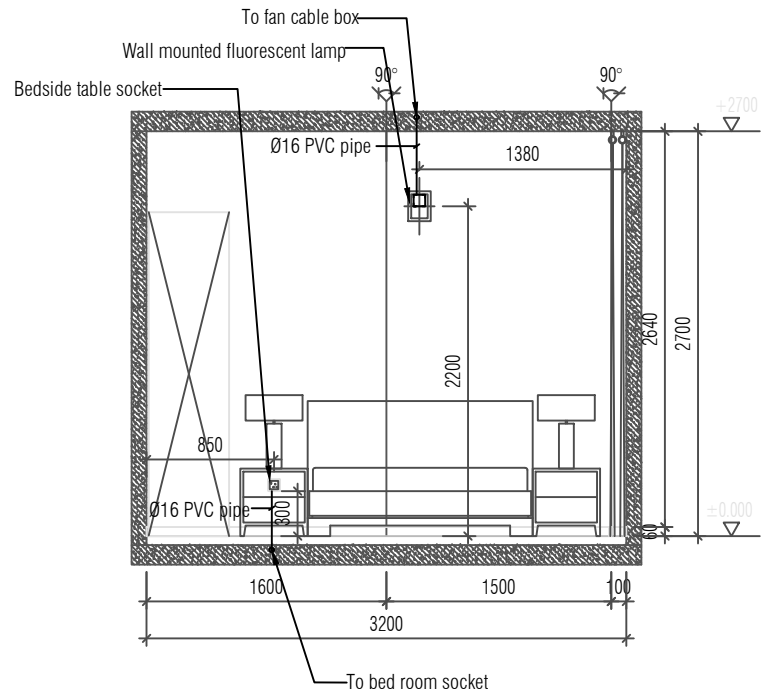
REVISION NO.: R00

DATE :

REVISED BY:



REAL ESTATE MANAGEMENT
2ND FLOOR, CENTRO MALL, HULHUMALE'
REPUBLIC OF MALDIVES
TEL. +9603353535, FAX +9603358892
EMAIL : hello@hdc.mv



PROPERTY : VINARES 1 -10 (LOT: 20507, 20508, 20509)

UNIT NO: TYPE A1 (X01, X02, X04, X05)

BEDROOM 2 | ELEVATION 7/C

1:50

NOTE:

1. See the plan for the direction of wire pipe in concrete
2. □ — 77*77* 56 PVC cable box

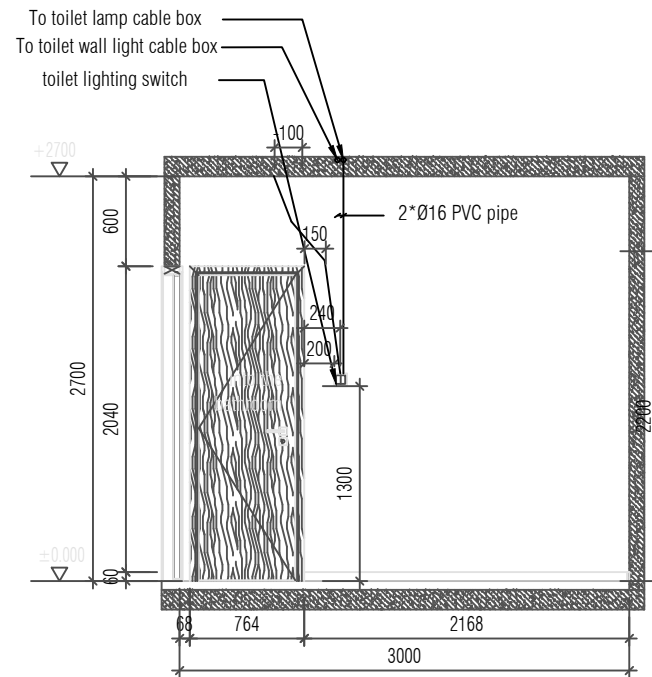
PROPERTY : VINARES 1-10 (LOT: 20507,20508, 20509)	
DRAWING NAME : ROOM WALL CONDUIT TYPE A1	SCALE: AS GIVEN,A4

DRAWN BY : MOHAMED SHIYAAH	DATE : 25/02/2024
CHECKED BY : AHMED MAHUDHEE	

REVISION NO.: R00	DATE :
REVISED BY:	



REAL ESTATE MANAGEMENT
 2ND FLOOR, CENTRO MALL, HULHUMALE'
 REPUBLIC OF MALDIVES
 TEL- +9603353535, FAX +9603358882
 EMAIL : hello@hdc.mv



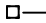
PROPERTY : VINARES 1 -10 (LOT: 20507, 20508, 20509)

UNIT NO: TYPE A1 (X01, X02, X04, X05)

BEDROOM 2 | ELEVATION 7/D

1:50

NOTE:

1. See the plan for the direction of wire pipe in concrete
2.  77*77*56 PVC cable box

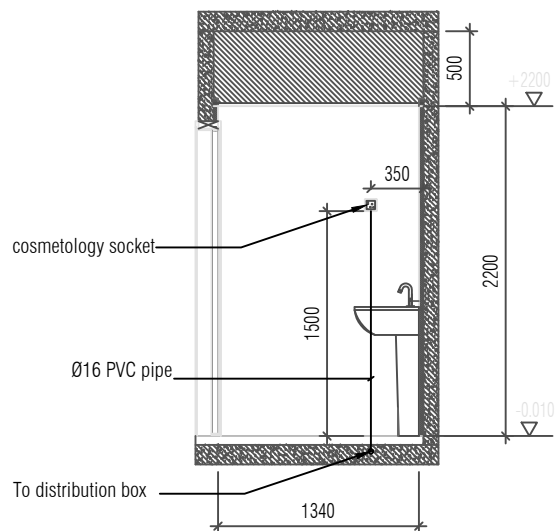
PROPERTY : VINARES 1-10 (LOT: 20507,20508, 20509)	
DRAWING NAME : ROOM WALL CONDUIT TYPE A1	SCALE: AS GIVEN,A4

DRAWN BY : MOHAMED SHIYAAH	DATE : 25/02/2024
CHECKED BY : AHMED MAHUDHEE	

REVISION NO.: R00	DATE :
REVISED BY:	



REAL ESTATE MANAGEMENT
 2ND FLOOR, CENTRO MALL, HULHUMALE'
 REPUBLIC OF MALDIVES
 TEL- +9603353535, FAX +9603358892
 EMAIL : hello@hdc.mv

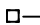


PROPERTY : VINARES 1 -10 (LOT: 20507, 20508, 20509)

UNIT NO: TYPE A1 (X01, X02, X04, X05)
 BEDROOM 2 BATHROOM | ELEVATION 8/B

1:50

NOTE:

1. See the plan for the direction of wire pipe in concrete
2.  77*77* 56 PVC cable box

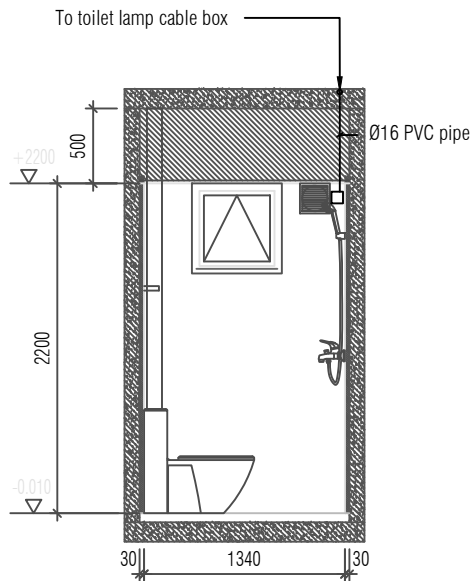
PROPERTY : VINARES 1-10 (LOT: 20507,20508, 20509)	
DRAWING NAME : ROOM WALL CONDUIT TYPE A1	SCALE: AS GIVEN,A4

DRAWN BY : MOHAMED SHIYAAH	DATE : 25/02/2024
CHECKED BY : AHMED MAHUDHEE	

REVISION NO.: R00	DATE :
REVISED BY:	



REAL ESTATE MANAGEMENT
 2ND FLOOR, CENTRO MALL, HULHUMALE'
 REPUBLIC OF MALDIVES
 TEL- +9603353535, FAX +9603358882
 EMAIL : hello@hdc.mv

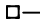


PROPERTY : VINARES 1 -10 (LOT: 20507, 20508, 20509)

UNIT NO: TYPE A1 (X01, X02, X04, X05)
 BEDROOM 2 BATHROOM | ELEVATION 8/D

1:50

NOTE:

1. See the plan for the direction of wire pipe in concrete
2.  77*77* 56 PVC cable box

PROPERTY : VINARES 1-10 (LOT: 20507,20508, 20509)	
DRAWING NAME : ROOM WALL CONDUIT TYPE A1	SCALE: AS GIVEN,A4

DRAWN BY : MOHAMED SHIYAAH	DATE : 25/02/2024
CHECKED BY : AHMED MAHUDHEE	

REVISION NO.: R00	DATE :
REVISED BY:	



REAL ESTATE MANAGEMENT
 2ND FLOOR, CENTRO MALL, HULHUMALE*
 REPUBLIC OF MALDIVES
 TEL- +9603353535, FAX +9603358882
 EMAIL : hello@hdc.mv

Handwritten signature