

PROPERTY : VINARES 1 -10 (LOT: 20507, 20508, 20509)

UNIT NO: TYPE A2 (X03, X06)

FLOOR PLAN

1:50

NOTE:

PROPERTY : VINARES 1-10 (LOT: 20507,20508, 20509)	
DRAWING NAME : ROOM WALL CONDUIT TYPE A2	SCALE: AS GIVEN,A4

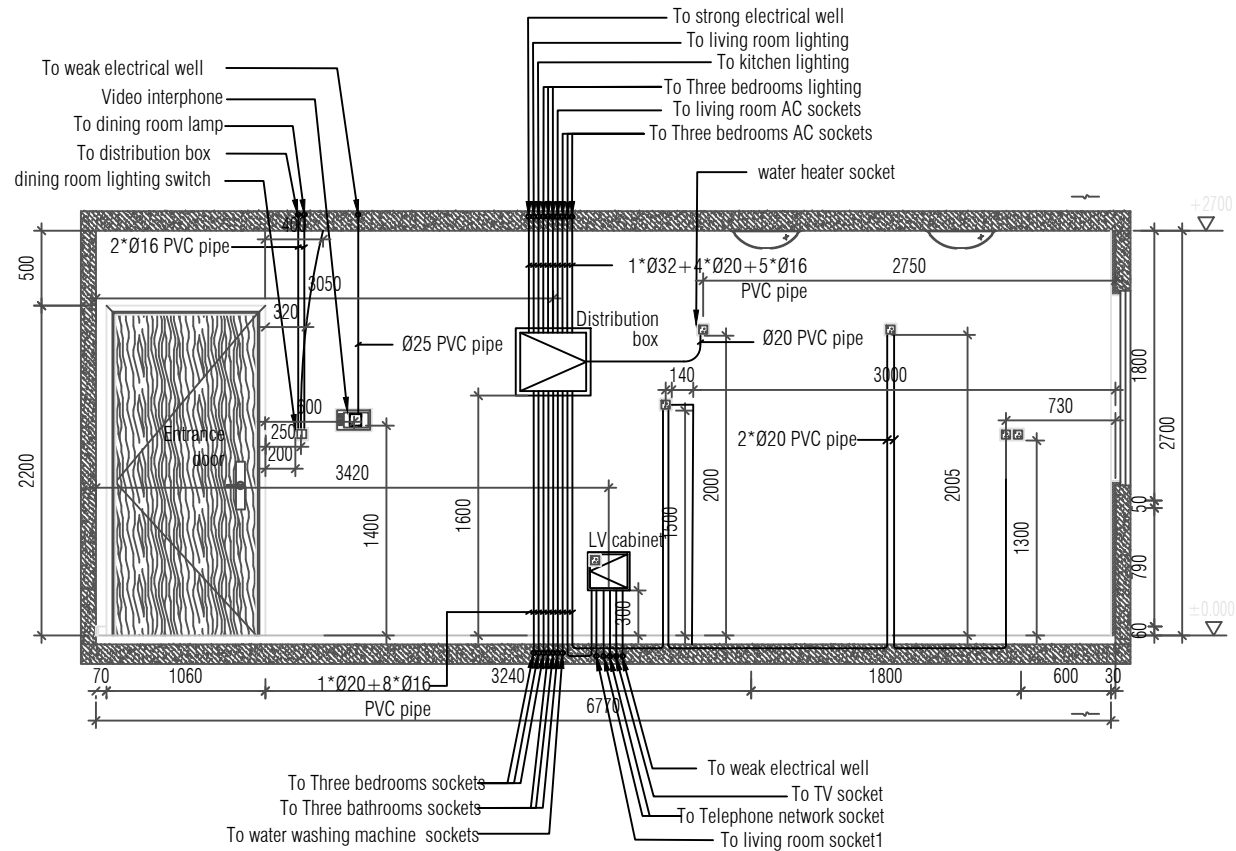
DRAWN BY : MOHAMED SHIYAAH	DATE : 25/02/2024
CHECKED BY : AHMED MAHUDHEE	

REVISION NO.: R00	DATE :
REVISED BY:	



**HOUSING
DEVELOPMENT
CORPORATION**

REAL ESTATE MANAGEMENT
2ND FLOOR, CENTRO MALL, HULHUMALE'
REPUBLIC OF MALDIVES
TEL- +9603353535, FAX +9603358882
EMAIL : hello@hdc.mv



PROPERTY : VINARES 1 -10 (LOT: 20507, 20508, 20509)

UNIT NO: TYPE A2 (X03, X06)

DINING AND LIVING ROOM | ELEVATION 1/A

1:50

NOTE:

1. See the plan for the direction of wire pipe in concrete
2. □ — 77*77* 56 PVC cable box

PROPERTY : VINARES 1-10 (LOT: 20507,20508, 20509)

DRAWN BY : MOHAMED SHIYAAH

DATE : 25/02/2024

REVISION NO.: R00

DATE :

DRAWING NAME : ROOM WALL CONDUIT TYPE A2

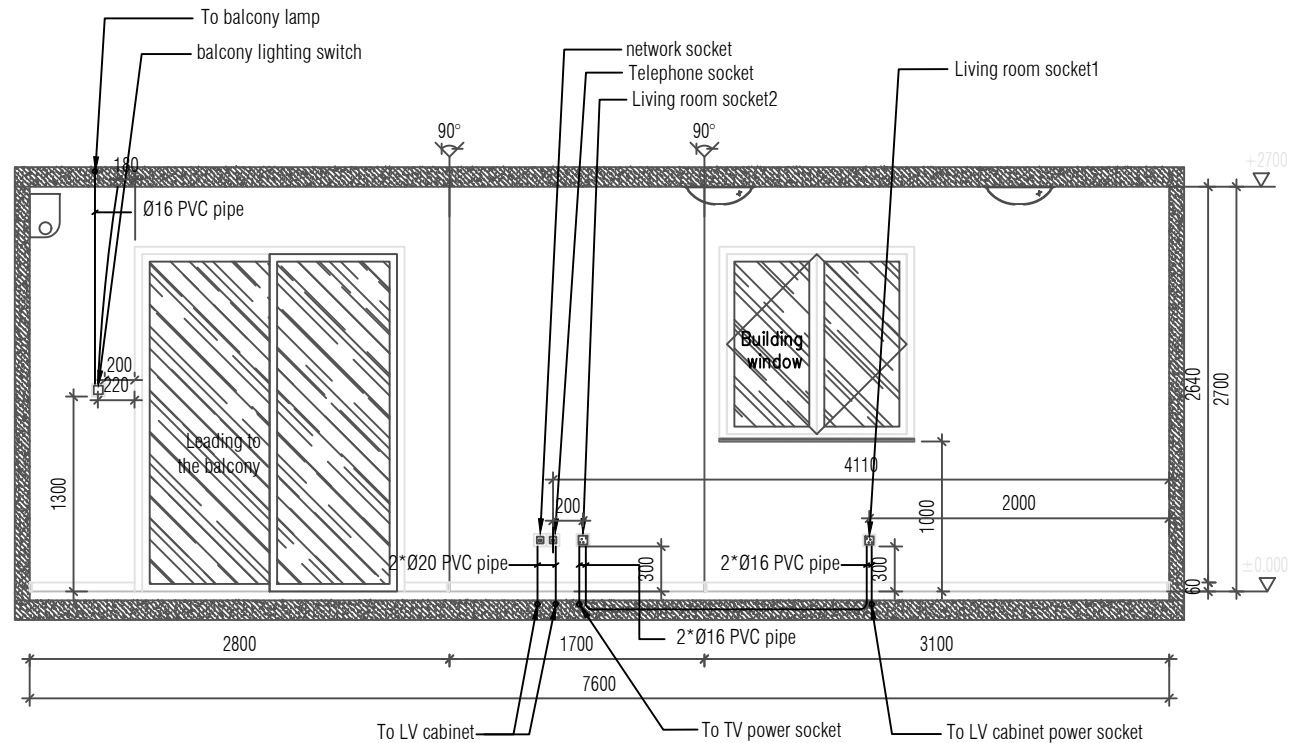
SCALE: AS GIVEN,A4

CHECKED BY : AHMED MAHUDHEE

REVISED BY:



REAL ESTATE MANAGEMENT
2ND FLOOR, CENTRO MALL, HULHUMALE*
REPUBLIC OF MALDIVES
TEL- +9603353535, FAX +9603358892
EMAIL : hello@hdc.mv



PROPERTY : VINARES 1 -10 (LOT: 20507, 20508, 20509)

UNIT NO: TYPE A2 (X03, X06)

DINING AND LIVING ROOM | ELEVATION 1/B

1:50

NOTE:

1. See the plan for the direction of wire pipe in concrete
2. □ — 77*77* 56 PVC cable box

PROPERTY : VINARES 1-10 (LOT: 20507,20508, 20509)

DRAWN BY : MOHAMED SHIYAAH

DATE : 25/02/2024

REVISION NO.: R00

DATE :

DRAWING NAME : ROOM WALL CONDUIT TYPE A2

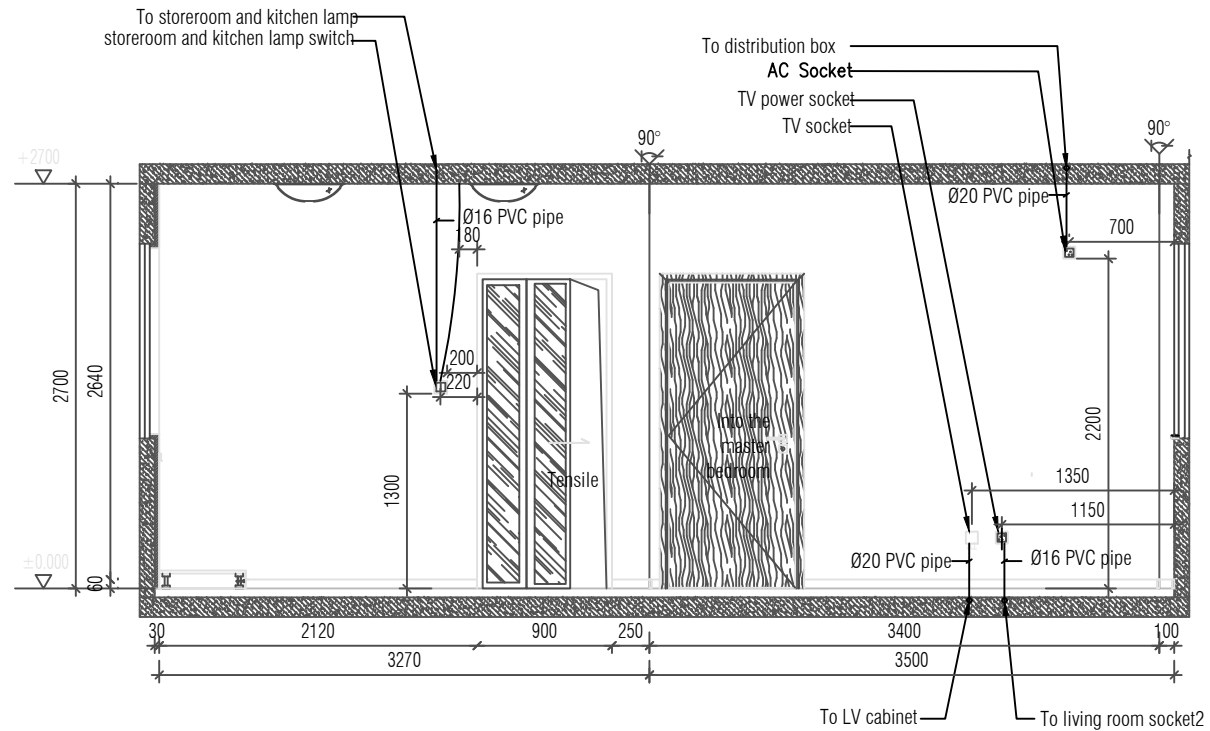
SCALE: AS GIVEN,A4

CHECKED BY : AHMED MAHUDHEE

REVISED BY:



REAL ESTATE MANAGEMENT
2ND FLOOR, CENTRO MALL, HULHUMALE'
REPUBLIC OF MALDIVES
TEL- +9603353535, FAX +9603358892
EMAIL : hello@hdc.mv



PROPERTY : VINARES 1 -10 (LOT: 20507, 20508, 20509)

UNIT NO: TYPE A2 (X03, X06)

DINING AND LIVING ROOM | ELEVATION 1/C

1:50

NOTE:

1. See the plan for the direction of wire pipe in concrete
2. □ — 77*77* 56 PVC cable box

PROPERTY : VINARES 1-10 (LOT: 20507,20508, 20509)

DRAWING NAME : ROOM WALL CONDUIT TYPE A2

SCALE: AS GIVEN,A4

DRAWN BY : MOHAMED SHIYAAH

DATE : 25/02/2024

CHECKED BY : AHMED MAHUDHEE

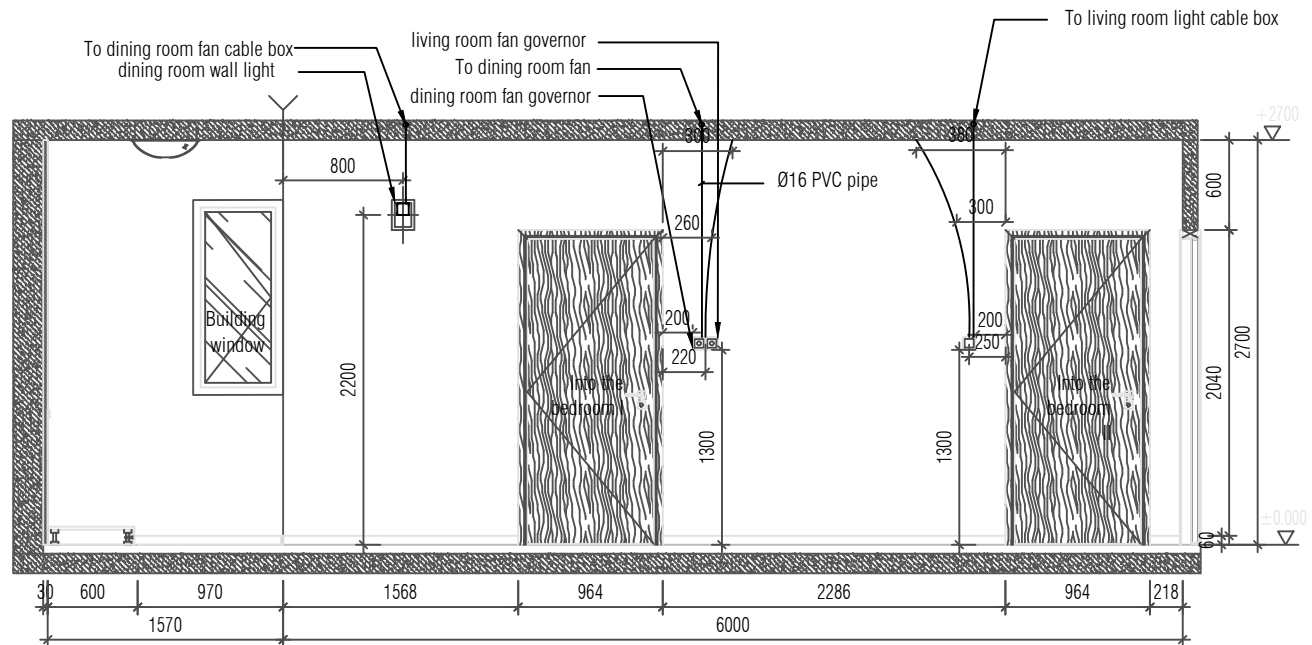
REVISION NO.: R00

DATE :

REVISED BY:



REAL ESTATE MANAGEMENT
2ND FLOOR, CENTRO MALL, HULHUMALE*
REPUBLIC OF MALDIVES
TEL- +9603353535, FAX +9603358892
EMAIL : hello@hdc.mv



PROPERTY : VINARES 1 -10 (LOT: 20507, 20508, 20509)

UNIT NO: TYPE A2 (X03, X06)

DINING AND LIVING ROOM | ELEVATION 1/D

1:50

NOTE:

1. See the plan for the direction of wire pipe in concrete
2. □ — 77*77* 56 PVC cable box

PROPERTY : VINARES 1-10 (LOT: 20507,20508, 20509)

DRAWN BY : MOHAMED SHIYAAH

DATE : 25/02/2024

REVISION NO.: R00

DATE :

DRAWING NAME : ROOM WALL CONDUIT TYPE A2

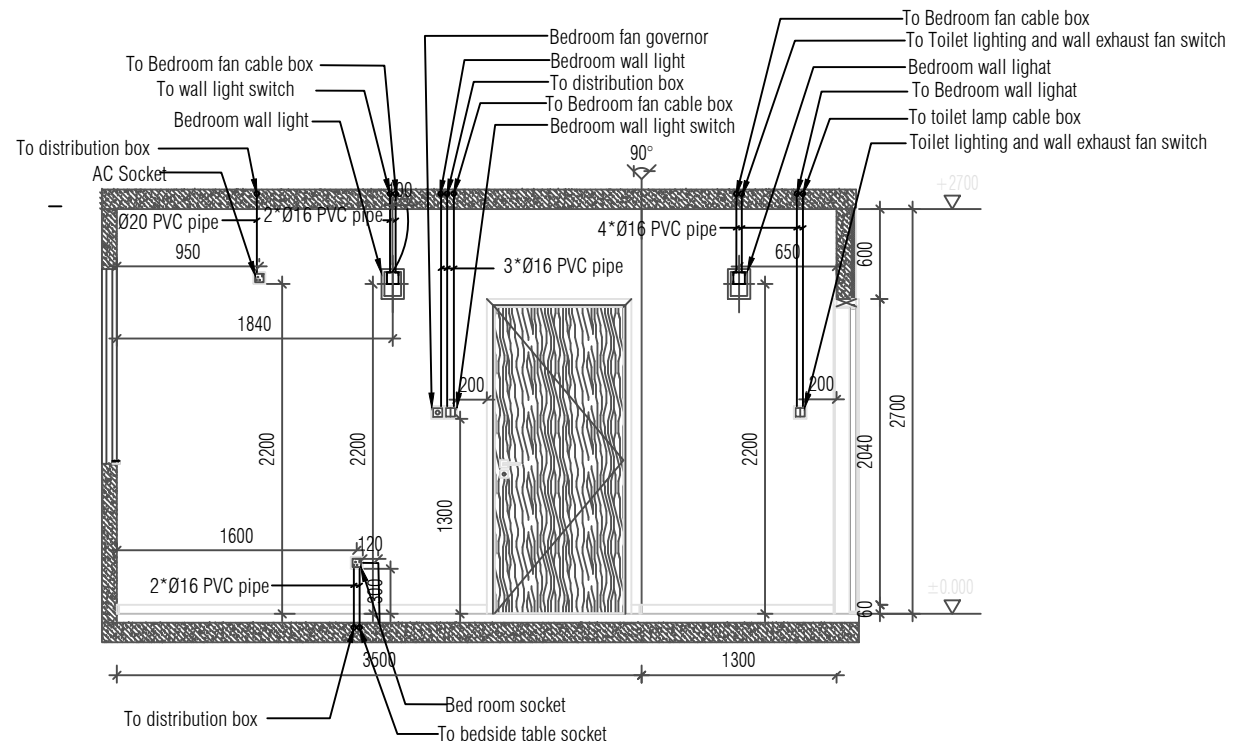
SCALE: AS GIVEN,A4

CHECKED BY : AHMED MAHUDHEE

REVISED BY:



REAL ESTATE MANAGEMENT
2ND FLOOR, CENTRO MALL, HULHUMALE'
REPUBLIC OF MALDIVES
TEL: +9603353535, FAX +9603358882
EMAIL : hello@hdc.mv



PROPERTY : VINARES 1 -10 (LOT: 20507, 20508, 20509)

UNIT NO: TYPE A2 (X03, X06)
 MASTER BEDROOM | ELEVATION 2/A

1:50

NOTE:

1. See the plan for the direction of wire pipe in concrete
2. □ — 77*77* 56 PVC cable box

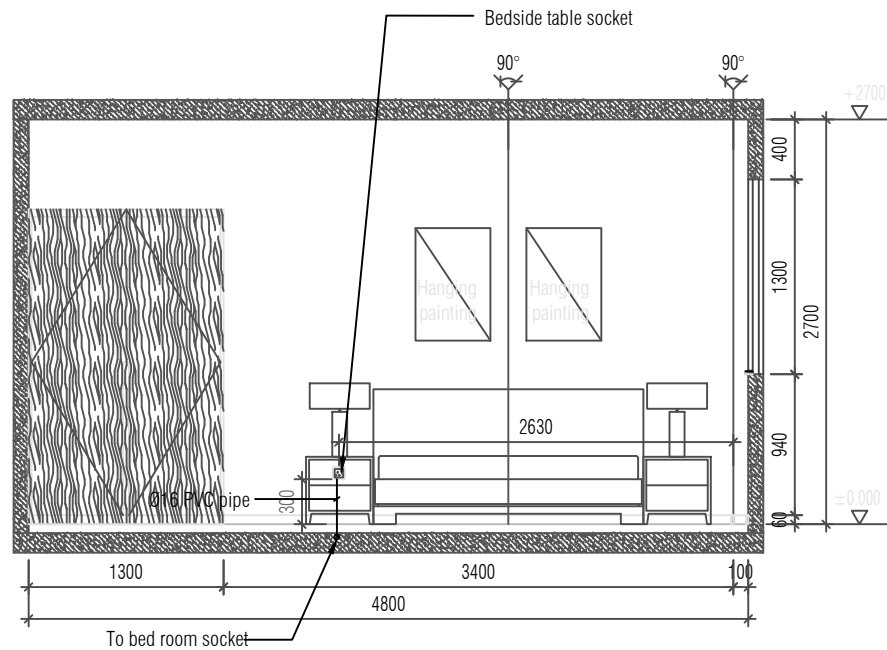
PROPERTY : VINARES 1-10 (LOT: 20507,20508, 20509)	SCALE: AS GIVEN,A4
DRAWING NAME : ROOM WALL CONDUIT TYPE A2	

DRAWN BY : MOHAMED SHIYAAH	DATE : 25/02/2024
CHECKED BY : AHMED MAHUDHEE	

REVISION NO.: R00	DATE :
REVISED BY:	

**HOUSING
DEVELOPMENT
CORPORATION**

REAL ESTATE MANAGEMENT
 2ND FLOOR, CENTRO MALL, HULHUMALE'
 REPUBLIC OF MALDIVES
 TEL- +9603353535, FAX +9603358892
 EMAIL : hello@hdc.mv



PROPERTY : VINARES 1 -10 (LOT: 20507, 20508, 20509)

UNIT NO: TYPE A2 (X03, X06)
 MASTER BEDROOM | ELEVATION 2/C

1:50

NOTE:

1. See the plan for the direction of wire pipe in concrete
2. □ — 77*77* 56 PVC cable box

PROPERTY : VINARES 1-10 (LOT: 20507,20508, 20509)

DRAWING NAME : ROOM WALL CONDUIT TYPE A2

SCALE: AS GIVEN,A4

DRAWN BY : MOHAMED SHIYAAH

DATE : 25/02/2024

CHECKED BY : AHMED MAHUDHEE

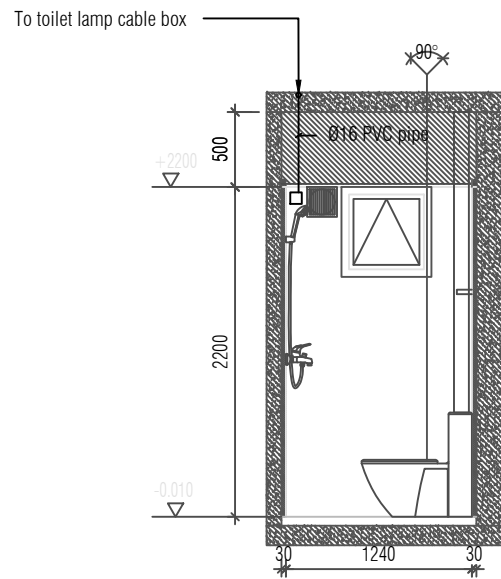
REVISION NO.: R00

DATE :

REVISED BY:



REAL ESTATE MANAGEMENT
 2ND FLOOR, CENTRO MALL, HULHUMALE'
 REPUBLIC OF MALDIVES
 TEL- +9603353535, FAX +9603358882
 EMAIL : hello@hdc.mv



PROPERTY : VINARES 1 -10 (LOT: 20507, 20508, 20509)

UNIT NO: TYPE A2 (X03, X06)

MASTER BEDROOM BATHROOM | ELEVATION 3/B

1:50

NOTE:

1. See the plan for the direction of wire pipe in concrete
2. □ — 77*77* 56 PVC cable box

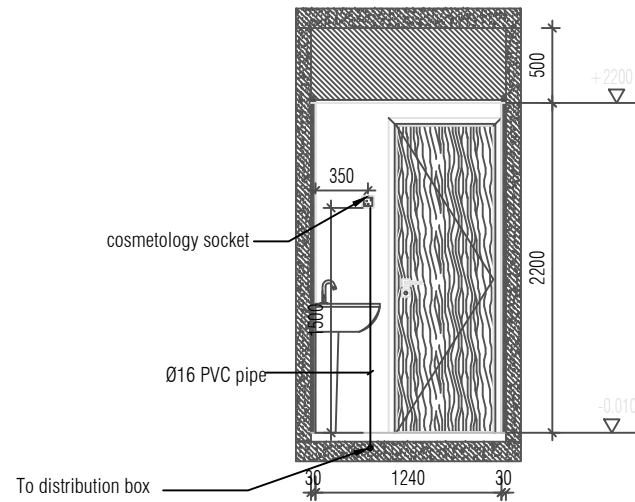
PROPERTY : VINARES 1-10 (LOT: 20507,20508, 20509)	
DRAWING NAME : ROOM WALL CONDUIT TYPE A2	SCALE: AS GIVEN,A4

DRAWN BY : MOHAMED SHIYAAH	DATE : 25/02/2024
CHECKED BY : AHMED MAHUDHEE	

REVISION NO.: R00	DATE :
REVISED BY:	



REAL ESTATE MANAGEMENT
 2ND FLOOR, CENTRO MALL, HULHUMALE'
 REPUBLIC OF MALDIVES
 TEL- +9603353535, FAX +9603358882
 EMAIL : hello@hdc.mv



PROPERTY : VINARES 1 -10 (LOT: 20507, 20508, 20509)

UNIT NO: TYPE A2 (X03, X06)

MASTER BEDROOM BATHROOM | ELEVATION 3/D

1:50

NOTE:

1. See the plan for the direction of wire pipe in concrete
2. □ — 77*77* 56 PVC cable box

PROPERTY : VINARES 1-10 (LOT: 20507,20508, 20509)

DRAWN BY : MOHAMED SHIYAAH

DATE : 25/02/2024

REVISION NO.: R00

DATE :

DRAWING NAME : ROOM WALL CONDUIT TYPE A2

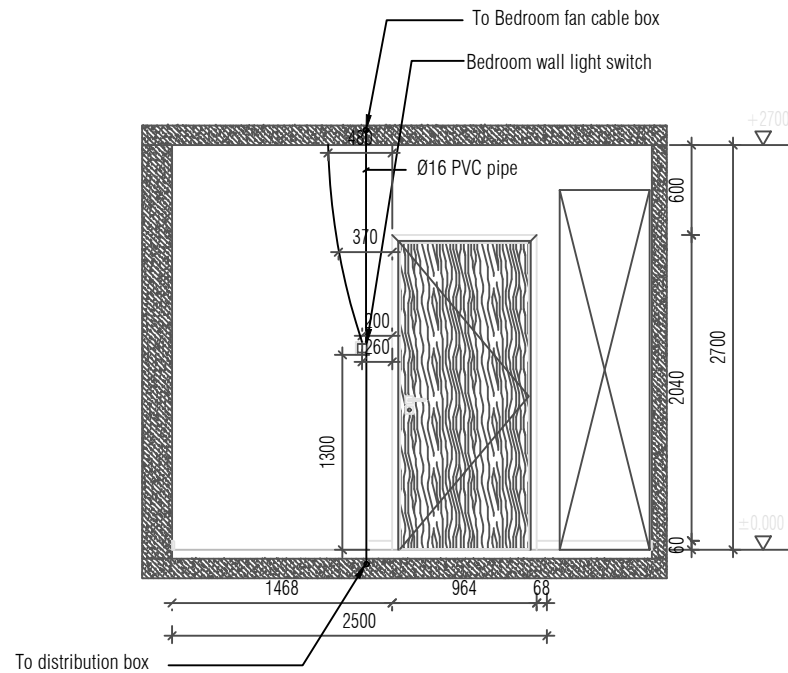
SCALE: AS GIVEN,A4

CHECKED BY : AHMED MAHUDHEE

REVISED BY:



REAL ESTATE MANAGEMENT
2ND FLOOR, CENTRO MALL, HULHUMALE'
REPUBLIC OF MALDIVES
TEL- +9603353535, FAX +9603358882
EMAIL : hello@hdc.mv



PROPERTY : VINARES 1 -10 (LOT: 20507, 20508, 20509)

UNIT NO: TYPE A2 (X03, X06)
 BEDROOM 1 | ELEVATION 4/A

1:50

NOTE:

1. See the plan for the direction of wire pipe in concrete
2. □ — 77*77* 56 PVC cable box

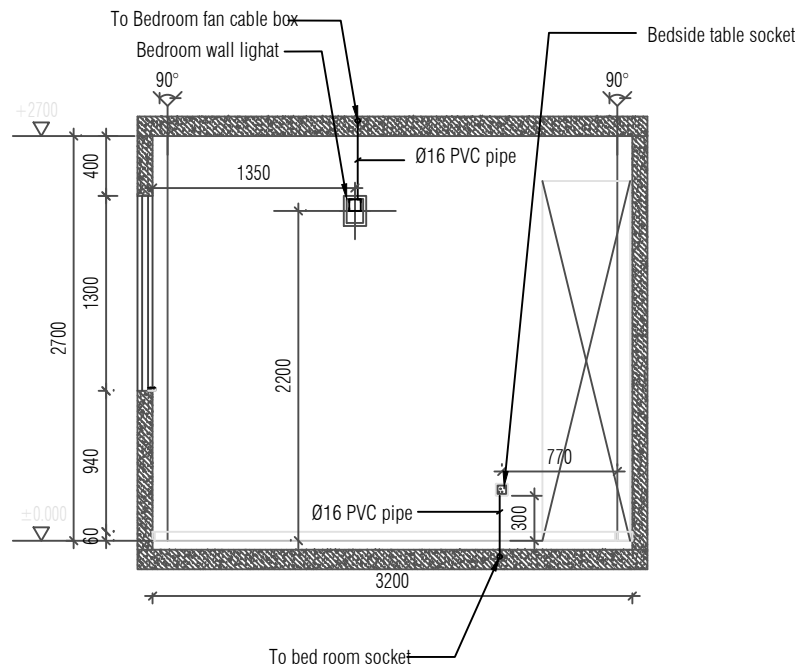
PROPERTY : VINARES 1-10 (LOT: 20507,20508, 20509)	SCALE: AS GIVEN,A4
DRAWING NAME : ROOM WALL CONDUIT TYPE A2	

DRAWN BY : MOHAMED SHIYAAH	DATE : 25/02/2024
CHECKED BY : AHMED MAHUDHEE	

REVISION NO.: R00	DATE :
REVISED BY:	



REAL ESTATE MANAGEMENT
 2ND FLOOR, CENTRO MALL, HULHUMALE'
 REPUBLIC OF MALDIVES
 TEL- +9603353535, FAX +9603358892
 EMAIL : hello@hdc.mv



PROPERTY : VINARES 1 -10 (LOT: 20507, 20508, 20509)

UNIT NO: TYPE A2 (X03, X06)
 BEDROOM 1 | ELEVATION 4/B

1:50

NOTE:

1. See the plan for the direction of wire pipe in concrete
2. □ — 77*77* 56 PVC cable box

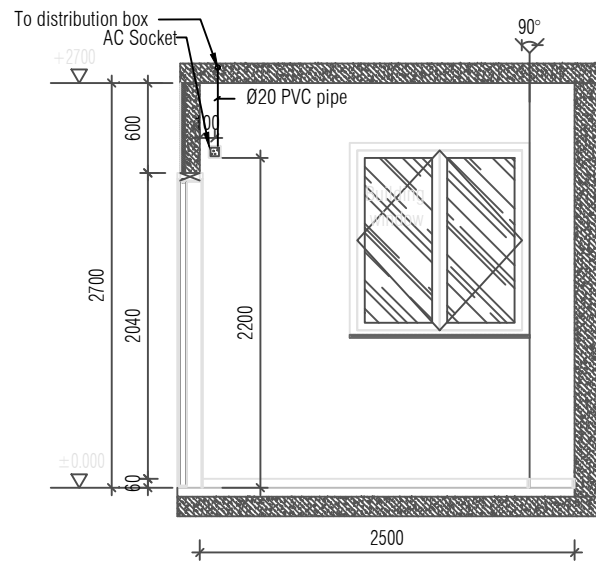
PROPERTY : VINARES 1-10 (LOT: 20507,20508, 20509)	
DRAWING NAME : ROOM WALL CONDUIT TYPE A2	SCALE: AS GIVEN,A4

DRAWN BY : MOHAMED SHIYAAH	DATE : 25/02/2024
CHECKED BY : AHMED MAHUDHEE	

REVISION NO.: R00	DATE :
REVISED BY:	



REAL ESTATE MANAGEMENT
 2ND FLOOR, CENTRO MALL, HULHUMALE'
 REPUBLIC OF MALDIVES
 TEL- +9603353535, FAX +9603358892
 EMAIL : hello@hdc.mv



PROPERTY : VINARES 1-10 (LOT: 20507, 20508, 20509)

UNIT NO: TYPE A2 (X03, X06)
 BEDROOM 1 | ELEVATION 4/C

1:50

NOTE:

1. See the plan for the direction of wire pipe in concrete
2. □ — 77*77* 56 PVC cable box

PROPERTY : VINARES 1-10 (LOT: 20507,20508, 20509)	
DRAWING NAME : ROOM WALL CONDUIT TYPE A2	SCALE: AS GIVEN,A4

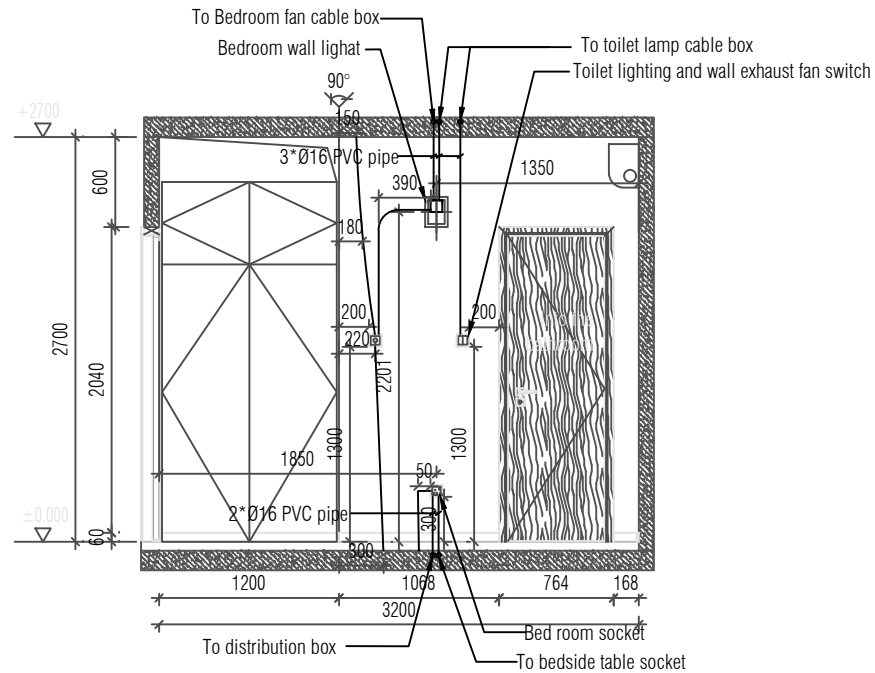
DRAWN BY : MOHAMED SHIYAAH	DATE : 25/02/2024
CHECKED BY : AHMED MAHUDHEE	

REVISION NO.: R00	DATE :
REVISED BY:	



REAL ESTATE MANAGEMENT
 2ND FLOOR, CENTRO MALL, HULHUMALE'
 REPUBLIC OF MALDIVES
 TEL- +9603353535, FAX +9603358892
 EMAIL : hello@hdc.mv

(Handwritten signature)



PROPERTY : VINARES 1 -10 (LOT: 20507, 20508, 20509)

UNIT NO: TYPE A2 (X03, X06)
 BEDROOM 1 | ELEVATION 4/D

1:50

NOTE:

1. See the plan for the direction of wire pipe in concrete
2. □ — 77*77* 56 PVC cable box

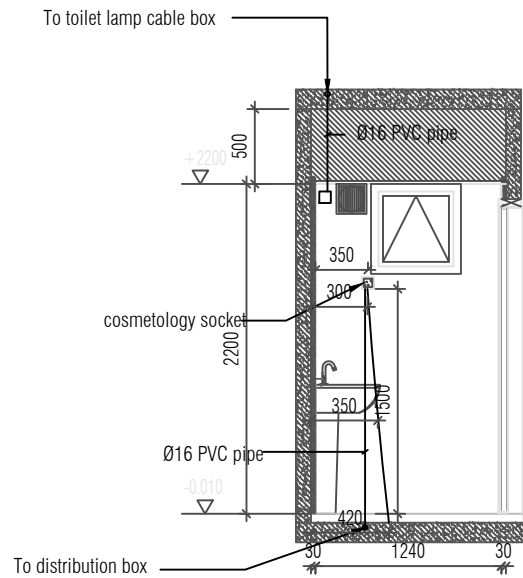
PROPERTY : VINARES 1-10 (LOT: 20507,20508, 20509)	SCALE: AS GIVEN,A4
DRAWING NAME : ROOM WALL CONDUIT TYPE A2	

DRAWN BY : MOHAMED SHIYAAH	DATE : 25/02/2024
CHECKED BY : AHMED MAHUDHEE	

REVISION NO.: R00	DATE :
REVISED BY:	

HOUSING DEVELOPMENT CORPORATION

REAL ESTATE MANAGEMENT
 2ND FLOOR, CENTRO MALL, HULHUMALE*
 REPUBLIC OF MALDIVES
 TEL- +9603353535, FAX +9603358892
 EMAIL : hello@hdc.mv



PROPERTY : VINARES 1 -10 (LOT: 20507, 20508, 20509)

UNIT NO: TYPE A2 (X03, X06)

BEDROOM 1 BATHROOM | ELEVATION 5/D

1:50

NOTE:

1. See the plan for the direction of wire pipe in concrete
2. □ — 77*77* 56 PVC cable box

PROPERTY : VINARES 1-10 (LOT: 20507,20508, 20509)

DRAWN BY : MOHAMED SHIYAAH

DATE : 25/02/2024

REVISION NO.: R00

DATE :

DRAWING NAME : ROOM WALL CONDUIT TYPE A2

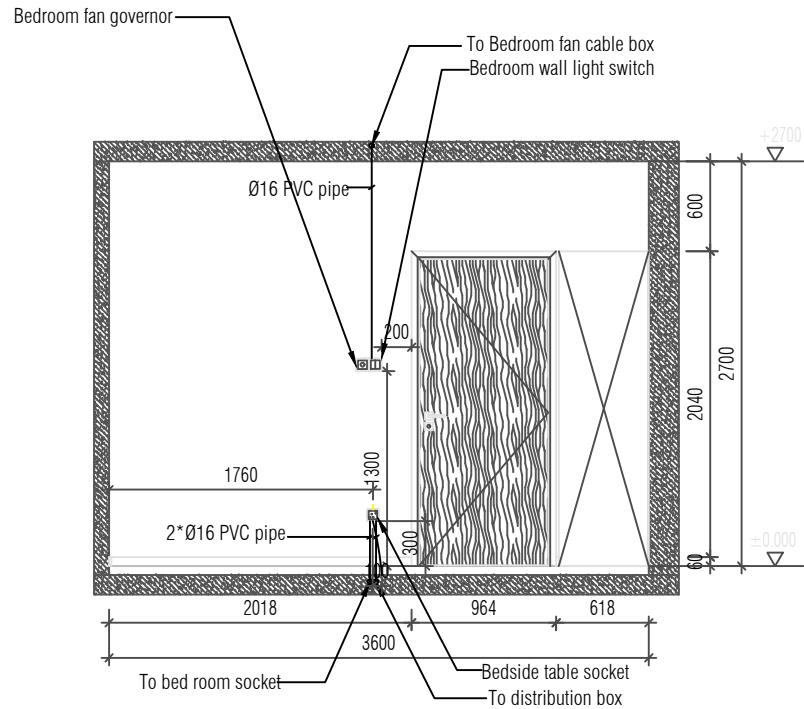
SCALE: AS GIVEN,A4

CHECKED BY : AHMED MAHUDHEE

REVISED BY:



REAL ESTATE MANAGEMENT
2ND FLOOR, CENTRO MALL, HULHUMALE*
REPUBLIC OF MALDIVES
TEL- +9603363636, FAX +9603368882
EMAIL : hello@hdc.mv



PROPERTY : VINARES 1 -10 (LOT: 20507, 20508, 20509)

UNIT NO: TYPE A2 (X03, X06)
 BEDROOM 2 | ELEVATION 6/A

1:50

NOTE:

1. See the plan for the direction of wire pipe in concrete
2. □ ——— 77* 56 PVC cable box

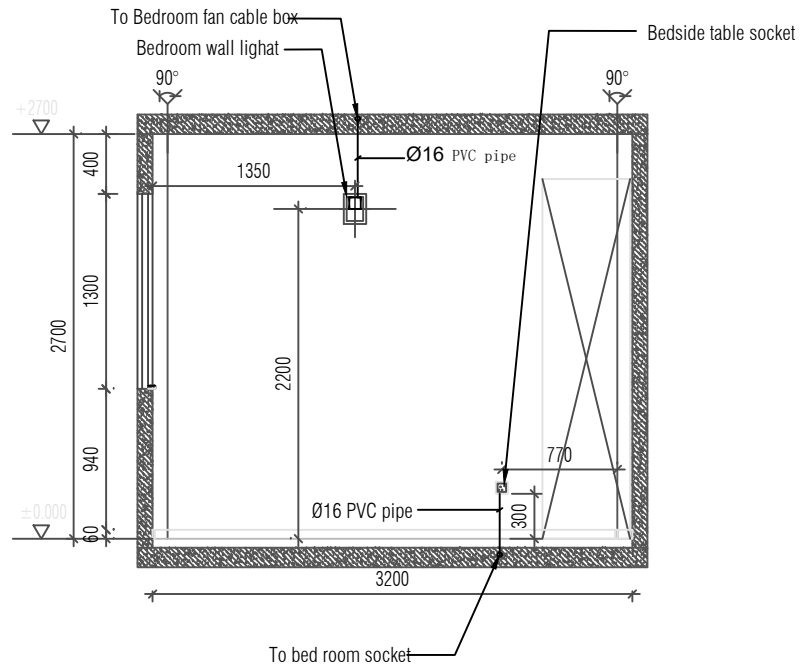
PROPERTY : VINARES 1-10 (LOT: 20507,20508, 20509)	SCALE: AS GIVEN,A4
DRAWING NAME : ROOM WALL CONDUIT TYPE A2	

DRAWN BY : MOHAMED SHIYAAH	DATE : 25/02/2024
CHECKED BY : AHMED MAHUDHEE	

REVISION NO.: R00	DATE :
REVISED BY:	



REAL ESTATE MANAGEMENT
 2ND FLOOR, CENTRO MALL, HULHUMALE'
 REPUBLIC OF MALDIVES
 TEL- +9603353535, FAX +9603358892
 EMAIL : hello@hdc.mv



PROPERTY : VINARES 1 -10 (LOT: 20507, 20508, 20509)

UNIT NO: TYPE A2 (X03, X06)
 BEDROOM 2 | ELEVATION 6/B

1:50

NOTE:

1. See the plan for the direction of wire pipe in concrete
2. — 77*77* 56 PVC cable box

PROPERTY : VINARES 1-10 (LOT: 20507,20508, 20509)	
DRAWING NAME : ROOM WALL CONDUIT TYPE A2	SCALE: AS GIVEN,A4

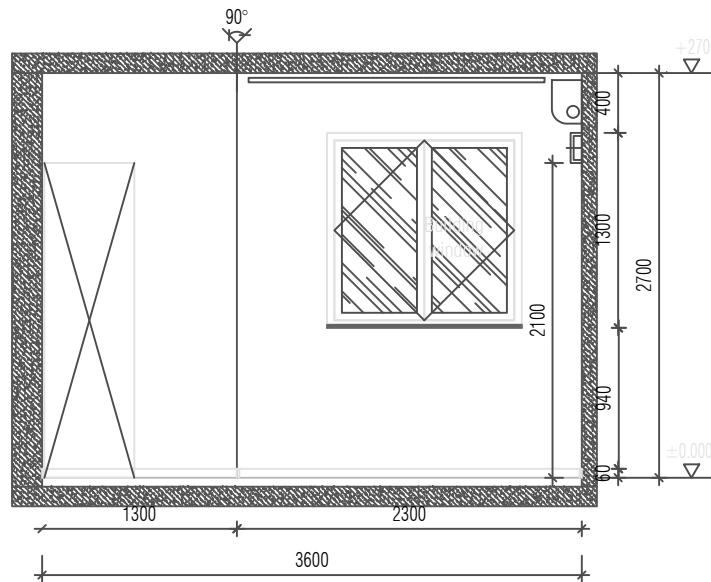
DRAWN BY : MOHAMED SHIYAAH	DATE : 25/02/2024
CHECKED BY : AHMED MAHUDHEE	

REVISION NO.: R00	DATE :
REVISED BY:	



**HOUSING
DEVELOPMENT
CORPORATION**

REAL ESTATE MANAGEMENT
 2ND FLOOR, CENTRO MALL, HULHUMALE'
 REPUBLIC OF MALDIVES
 TEL- +9603353535, FAX +9603356882
 EMAIL : hello@hdc.mv



PROPERTY : VINARES 1 -10 (LOT: 20507, 20508, 20509)

UNIT NO: TYPE A2 (X03, X06)
 BEDROOM 2 | ELEVATION 6/C

1:50

NOTE:

1. See the plan for the direction of wire pipe in concrete
2. □ — 77*77* 56 PVC cable box

PROPERTY : VINARES 1-10 (LOT: 20507,20508, 20509)	
DRAWING NAME : ROOM WALL CONDUIT TYPE A2	SCALE: AS GIVEN,A4

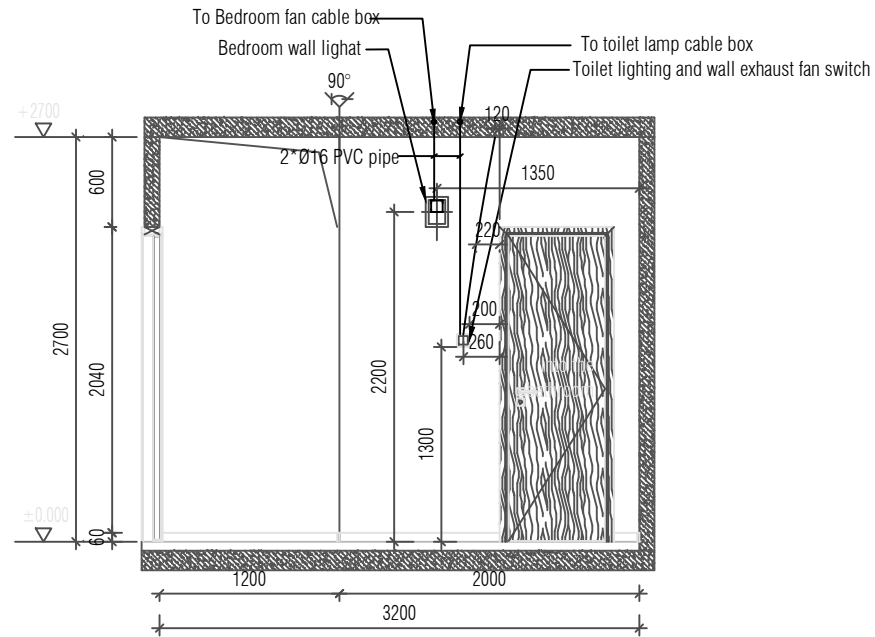
DRAWN BY : MOHAMED SHIYAAH	DATE : 25/02/2024
CHECKED BY : AHMED MAHUDHEE	

REVISION NO.: R00	DATE :
REVISED BY:	



HOUSING DEVELOPMENT CORPORATION

REAL ESTATE MANAGEMENT
 2ND FLOOR, CENTRO MALL, HULHUMALE'
 REPUBLIC OF MALDIVES
 TEL: +9603353535, FAX +9603358882
 EMAIL : hello@hdc.mv

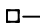


PROPERTY : VINARES 1 -10 (LOT: 20507, 20508, 20509)

UNIT NO: TYPE A2 (X03, X06)
 BEDROOM 2 | ELEVATION 6/D

1:50

NOTE:

1. See the plan for the direction of wire pipe in concrete
2.  77*77* 56 PVC cable box

PROPERTY : VINARES 1-10 (LOT: 20507,20508, 20509)

DRAWING NAME : ROOM WALL CONDUIT TYPE A2

SCALE: AS GIVEN,A4

DRAWN BY : MOHAMED SHIYAAH

DATE : 25/02/2024

CHECKED BY : AHMED MAHUDHEE

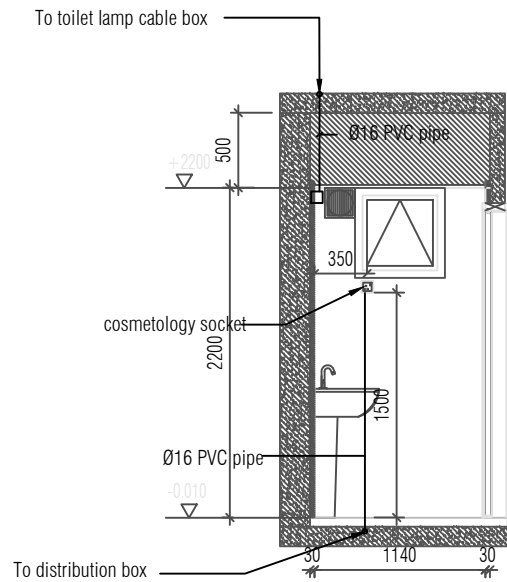
REVISION NO.: R00

DATE :

REVISED BY:



REAL ESTATE MANAGEMENT
 2ND FLOOR, CENTRO MALL, HULHUMALE'
 REPUBLIC OF MALDIVES
 TEL- +9603353535, FAX +9603358892
 EMAIL : hello@hdc.mv



PROPERTY : VINARES 1 -10 (LOT: 20507, 20508, 20509)

UNIT NO: TYPE A2 (X03, X06)

BEDROOM 2 BATHROOM | ELEVATION 7/D

1:50

NOTE:

1. See the plan for the direction of wire pipe in concrete
2. □ — 77*77* 56 PVC cable box

PROPERTY : VINARES 1-10 (LOT: 20507,20508, 20509)	
DRAWING NAME : ROOM WALL CONDUIT TYPE A2	SCALE: AS GIVEN,A4

DRAWN BY : MOHAMED SHIYAAH	DATE : 25/02/2024
CHECKED BY : AHMED MAHUDHEE	

REVISION NO.: R00	DATE :
REVISED BY:	



HOUSING DEVELOPMENT CORPORATION

REAL ESTATE MANAGEMENT
2ND FLOOR, CENTRO MALL, HULHUMALE'
REPUBLIC OF MALDIVES
TEL- +9603363636, FAX +9603368892
EMAIL : hello@hdc.mv